

NA - R6

For Canon R6 Camera

PN 17334

User Manual

Housing

FF- MIL

Introduction	2
Package Contents	2
Important Instructions	3
Part Names and Functions	4
Opening the housing	7
Closing the housing	8
Preparation for Use	9
Recommended Accessories	15
Care/Storage	16
Warranty	17
Specifications	18

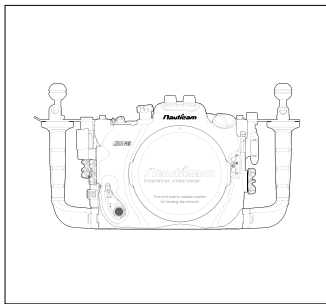
INTRODUCTION

Thank you for purchasing this Nauticam product.

Before using the product, please read this manual thoroughly to familiarize yourself with full scope of functions on the product as well as ensuring that you will use the product correctly.

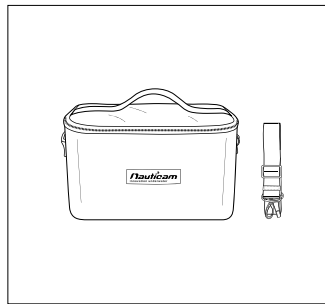
PACKAGE CONTENTS

Make sure that you have all the included items listed below before using this product. If some items are missing or damaged, contact your local Nauticam dealer.

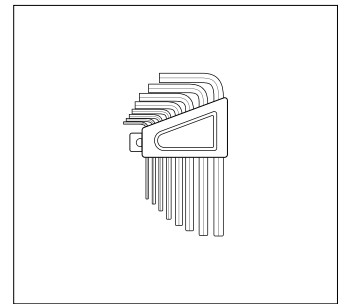


NA-R6

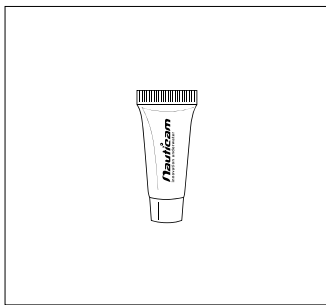
(2 x Handles with Mounting Balls, 1 x Housing Cap, 2 x Optical Fiber Mount Caps, 2 x Stainless Steel Handle Brackets)



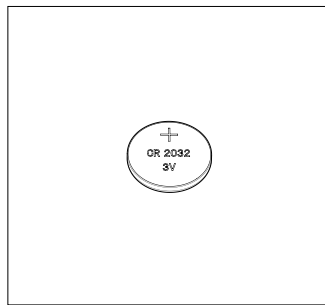
Padded Travel Case



Allen key set

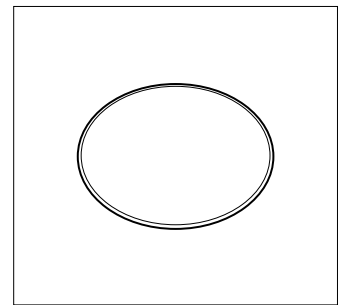


Lubricant



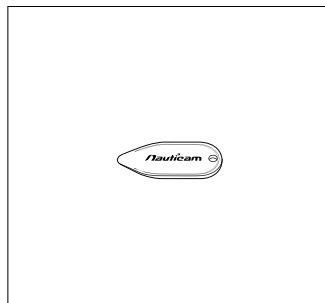
Panasonic CR2032 Battery

(pre-installed for Moisture Alarm)

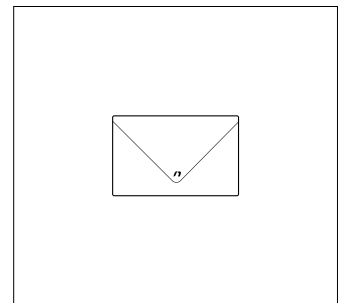


Spare Main O-ring

After purchase, we suggest that you reuse all packaging materials for future travelling.



O-ring Remover



Manual Instruction Card

IMPORTANT INSTRUCTIONS

1

Water-tight test of the housing (without camera inside) before usage is recommended as well as any O-ring renewal and port change.

2

Do not seal the housing when travelling by air as this may lead to a pressure difference between the atmosphere and inside the housing.

3

Only the accessories specified by Nauticam must be used. Third-party accessories may result in malfunctions or damage to the product.

4

Use only Nauticam lubricant on silicone rubber O-ring.

5

Do not stretch any O-rings excessively. Only remove it using Nauticam O-ring remover.



6

Discontinue use immediately when there is a sign of leakage.

7

Do not attempt to remove parts of the housing yourself. Repairs must be done at authorized service centers only.

8

The housing should be positioned on the a stable and safe surface on land.

9

Do not expose the housing in direct sunlight for a prolonged period.

10

Do not open the housing in wet or sandy environment. Protect the housing from moisture and debris in order to prevent malfunction or leakage.

11

Prevent any sand or dust or water penetration inside the housing. Be extra careful when changing lens and inserting or removing the camera.

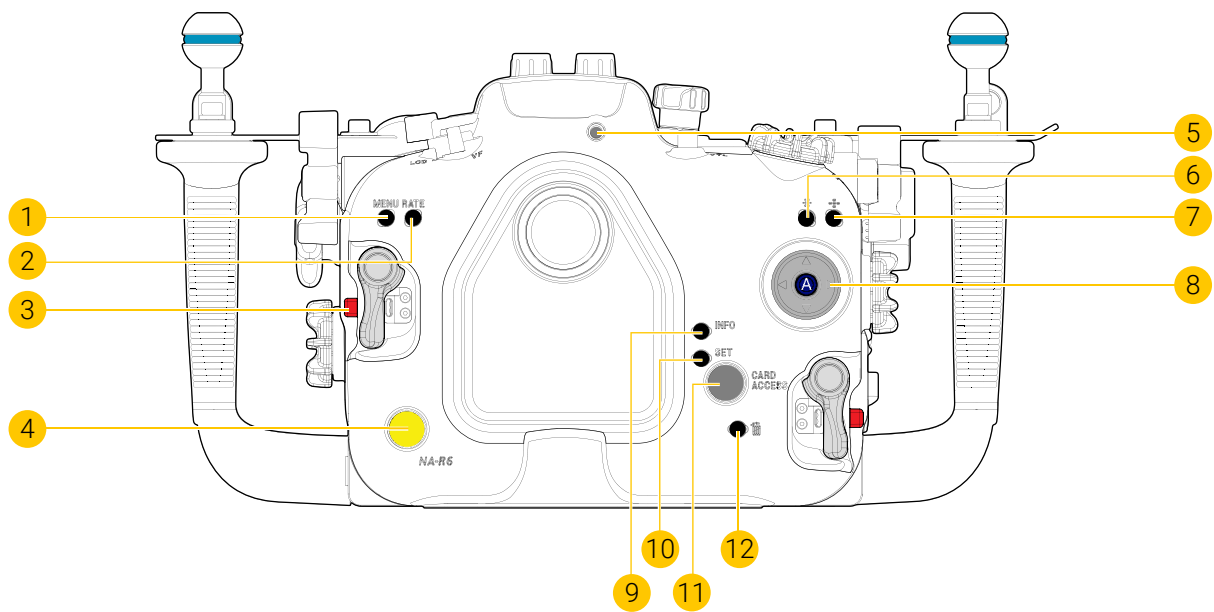


12

This product is not intended for use by children, or persons with reduced physical, sensory or mental capabilities, or lack of experience and knowledge, unless they are supervised and/or given instruction by a responsible person concerning use of the product to ensure that they can use it safely.

PART NAMES AND FUNCTIONS

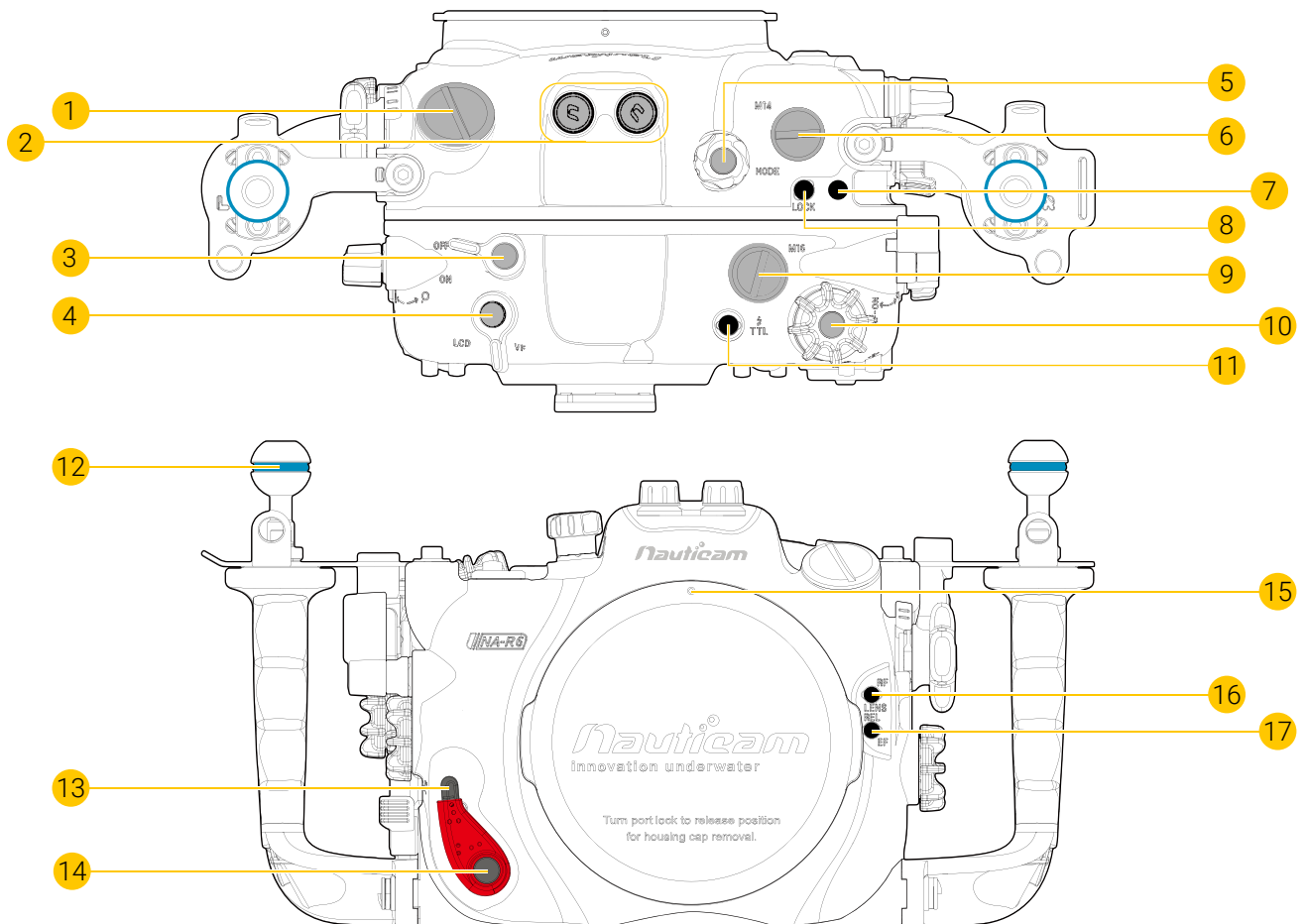
Rear View



- 1 Menu button
- 2 Rating/Voice memo button
- 3 Housing unlock button
- 4 Moisture alarm window
- 5 TTL Indicator Window
- 6 AE lock button
- 7 AF point selection button
- 8 Multi selector
- 9 Info button
- 10 Set button
- 11 Access lamp
- 12 Delete button
- A Multi selector - center

PART NAMES AND FUNCTIONS

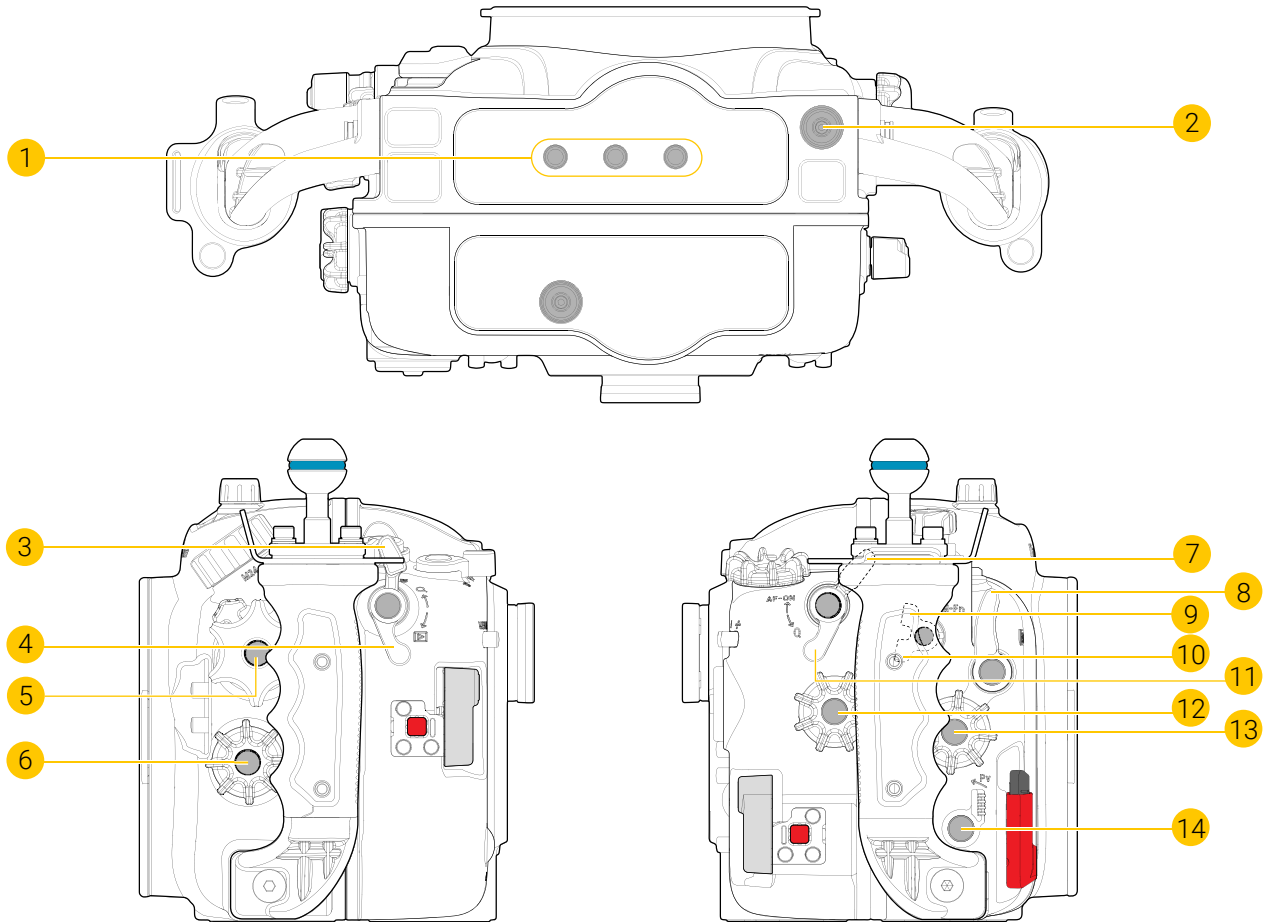
Top + Front Views



- | | | | |
|----|------------------------------|----|------------------------------|
| 1 | M24 Accessory port | 2 | Optical cable connector |
| 3 | Main switch | 4 | LCD/Viewfinder lever |
| 5 | M14 Accessory port | 6 | Multi-function lock button |
| 7 | M16 Accessory port | 8 | Mode button |
| 9 | Quick control dial 2 | 10 | TTL flash on/off |
| 11 | Accessory mounting ball | 12 | Port lock safety button |
| 13 | Port locking lever | 14 | Port index mark |
| 15 | RF mount lens release button | 16 | EF mount lens release button |

PART NAMES AND FUNCTIONS

Back + Side Views

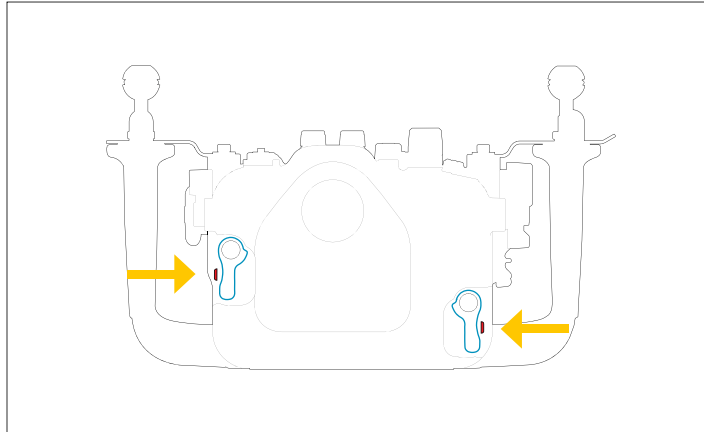


- | | | | |
|----|----------------------------|----|-------------------------------|
| 1 | 1/4" Threaded tripod holes | 2 | Zinc Anodes |
| 3 | Magnify/Reduce button | 4 | Playback lever |
| 5 | Zoom/Focus dial | 6 | Control ring mount adaptor Fn |
| 7 | AF Start button | 8 | Shutter release lever |
| 9 | M-Fn lever | 10 | REC lever |
| 11 | Quick control lever | 12 | Quick control dial 1 |
| 13 | Main dial | 14 | Preview lever |

OPENING THE HOUSING

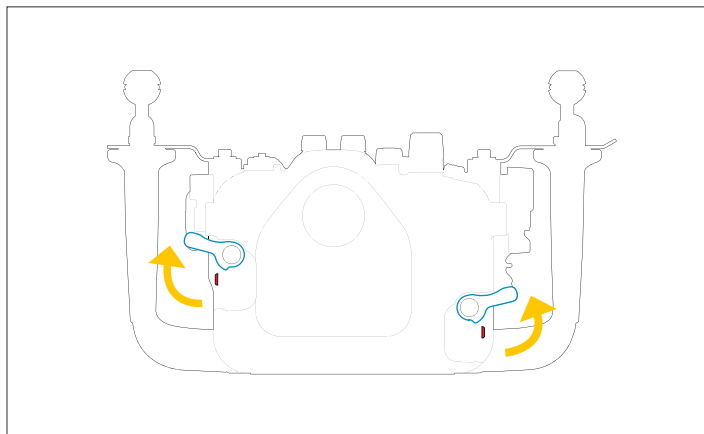
* drawings as illustrations only

1



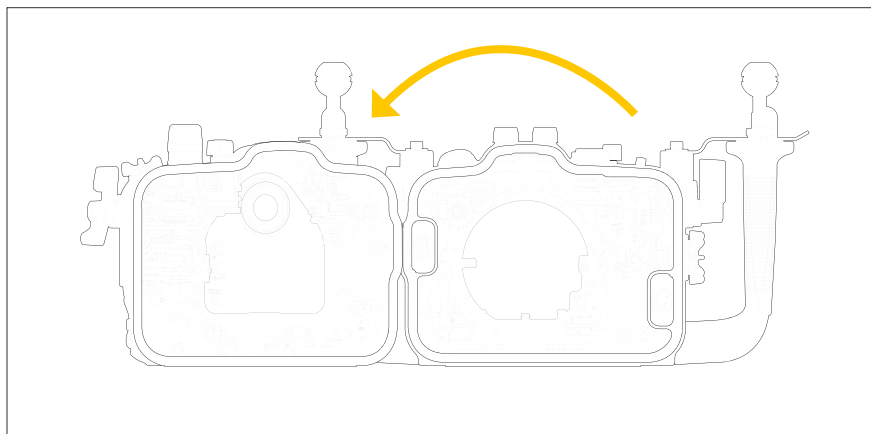
depress housing unlock button

2



turn housing lock outward

3

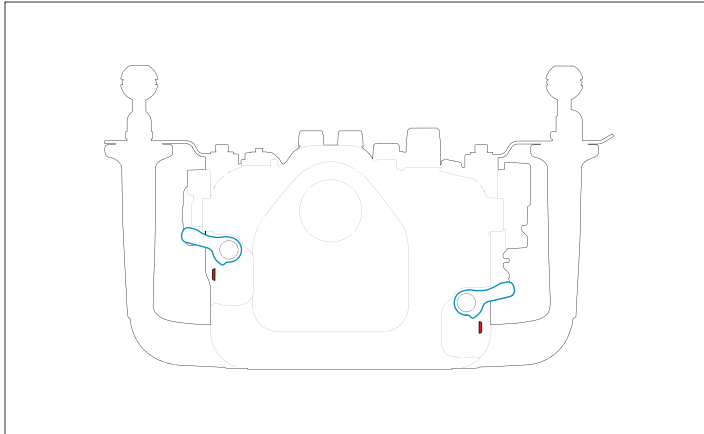


lift up the back housing

CLOSING THE HOUSING

* drawings as illustrations only Housing Lock - Lock

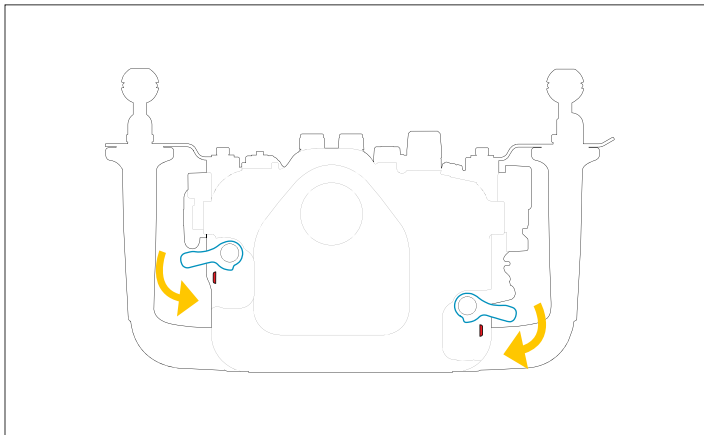
1



before closing the housing, clean and lubricate the main O-ring

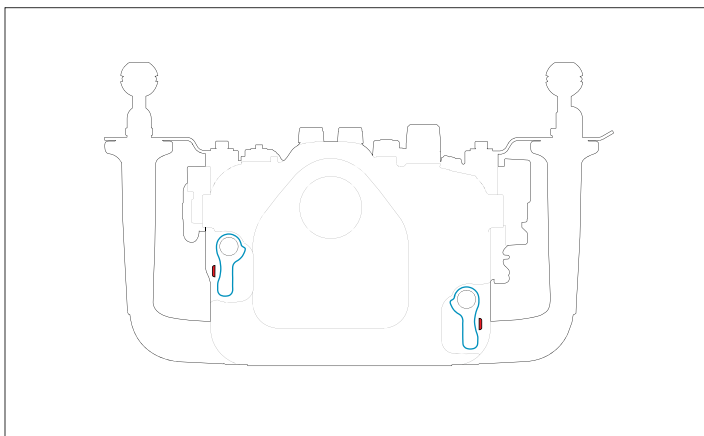
make sure nothing is caught between front and back housing and that they are fully aligned before locking

2



turn housing lock inward until you hear and feel it click into place

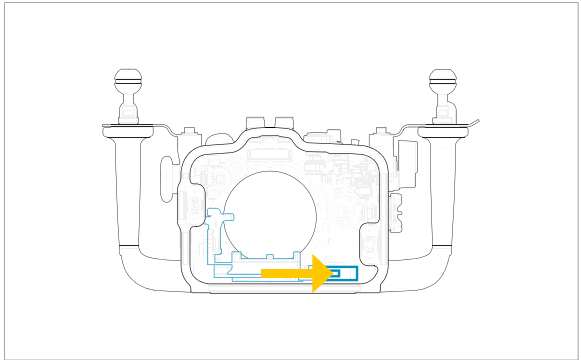
3



housing locked in place securely

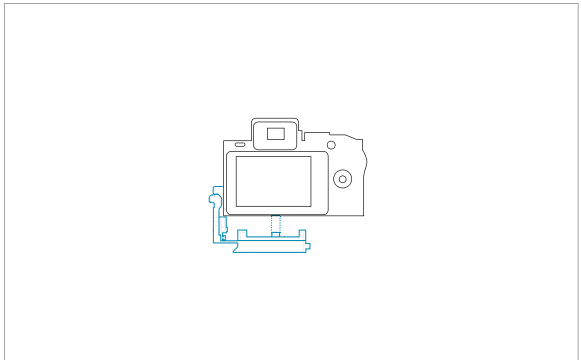
PREPARATION FOR USE

1



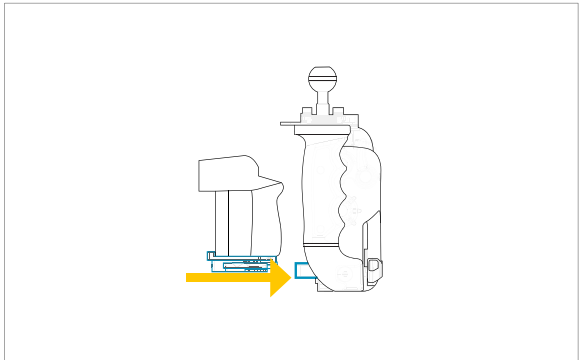
unlock camera tray lever and remove the tray from the housing

2



attach the camera tray by tightening the tray screw into the tripod socket of the camera

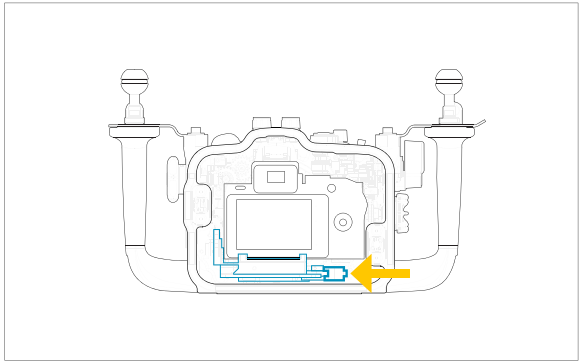
3



** lift up the ON/OFF lever each time before installing the camera*
** please refer to page 10 for lens installment before sliding in the camera*

slide the camera tray back into the housing along the tray rail

4



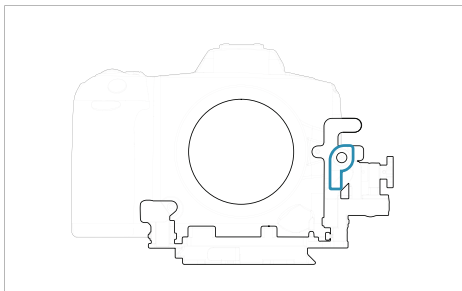
lock camera tray

** gently push the ON/OFF lever downwards and make sure it is engaged with the lever on the camera, also place the zoom/focus knob in place and make sure it is engaged with lens gear*

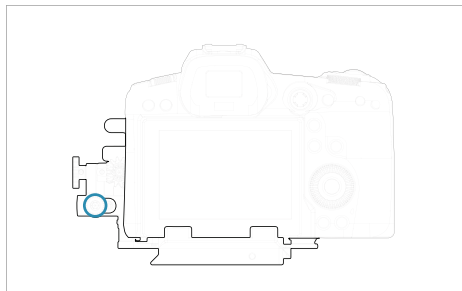
PREPARATION FOR USE

* drawings as illustrations only Installing the Camera - RF mount/ EF mount lens installment

RF mount lens



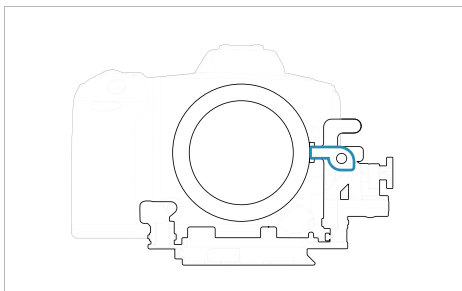
make sure the small lever is in vertical position before RF mount lens installment



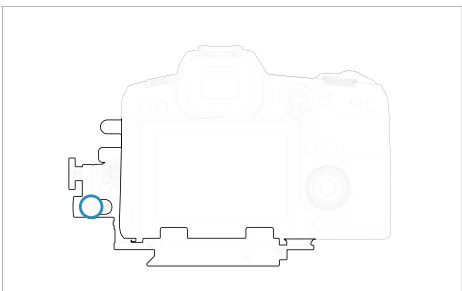
make sure the small gear engagement knob on housing tray is on the left

EF mount lens

(w/ mount adaptor EF-R)



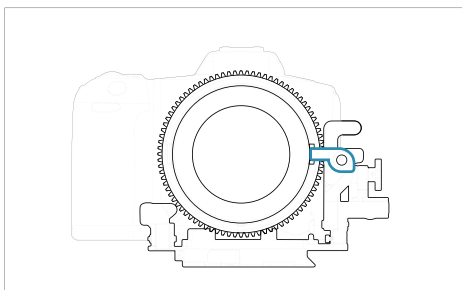
make sure the small lever is in horizontal position before EF mount lens installment



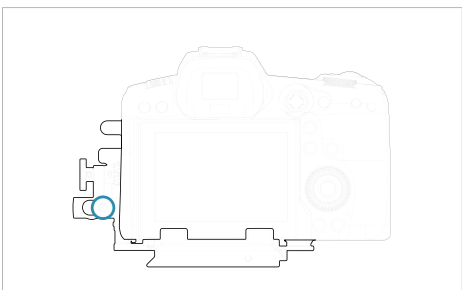
make sure the small gear engagement knob on housing tray is on the left

EF mount lens

(w/ control ring mount adaptor EF-R)



make sure the small lever is in horizontal position before EF mount lens installment

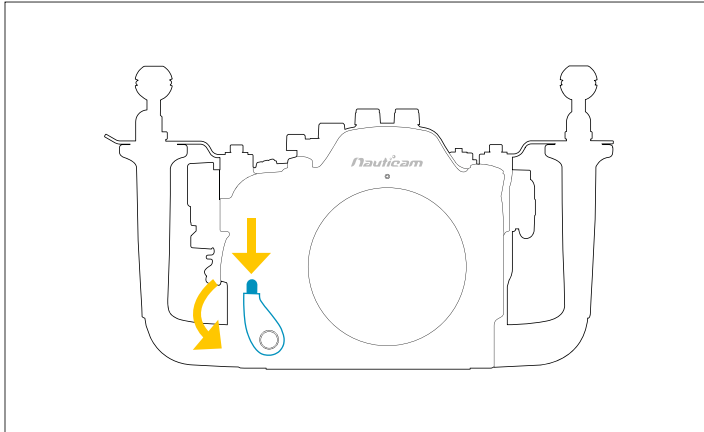


make sure the small gear engagement knob on housing tray is on the right

PREPARATION FOR USE

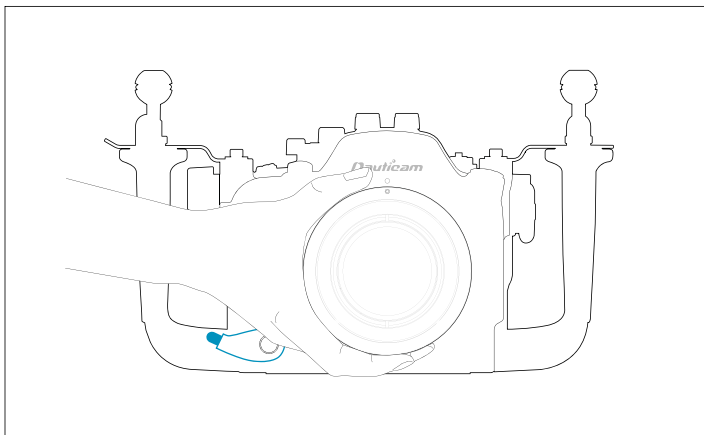
* drawings as illustrations only Port Mounting

1



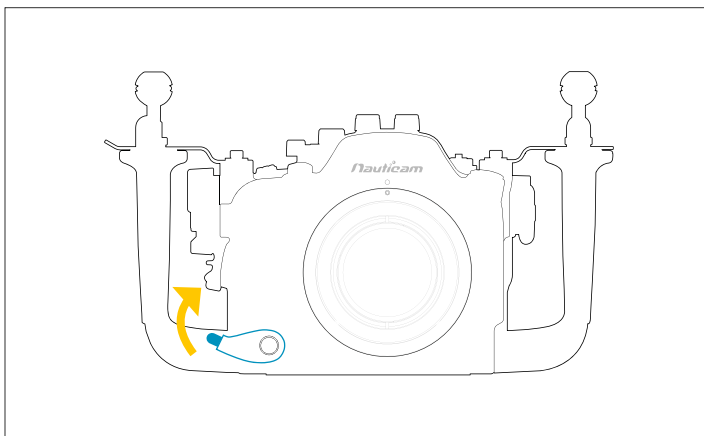
depress safety button and rotate anti-clockwise

2



lubricant the port O-ring before mounting
align index mark
push port assembly straight in

3

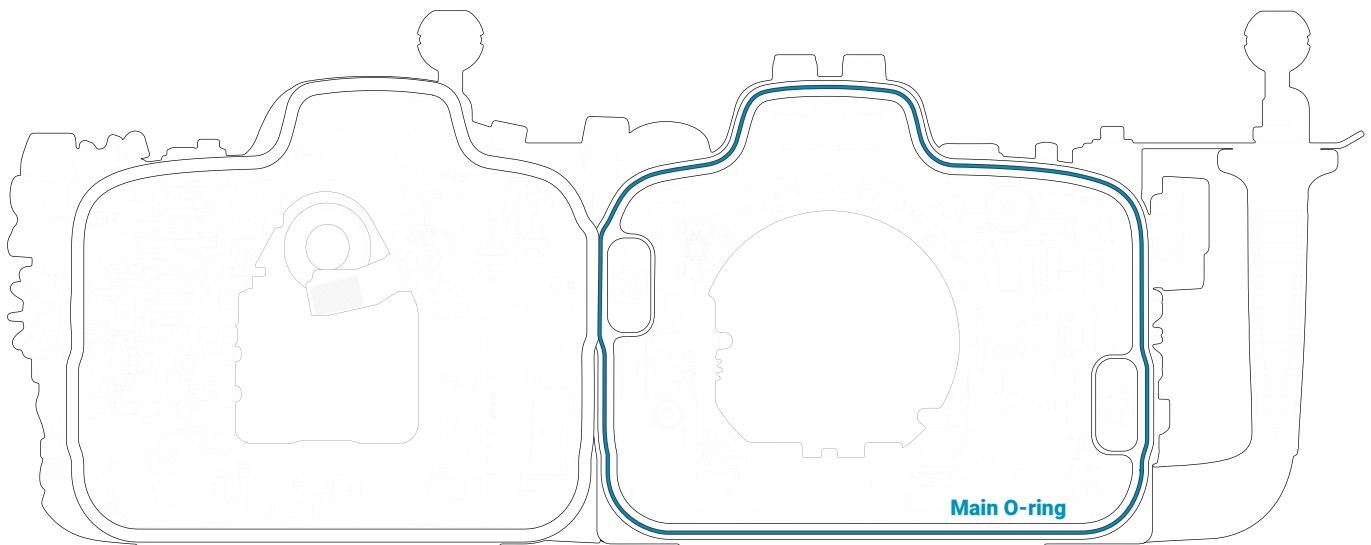


rotate locking lever clockwise to lock

PREPARATION FOR USE

* drawings as illustrations only

Coating housing O-ring



- 1
remove the main O-ring using an O-ring remover

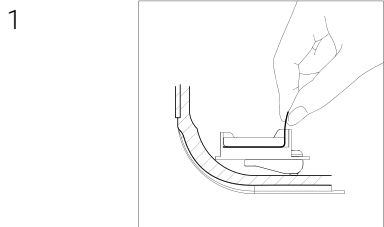
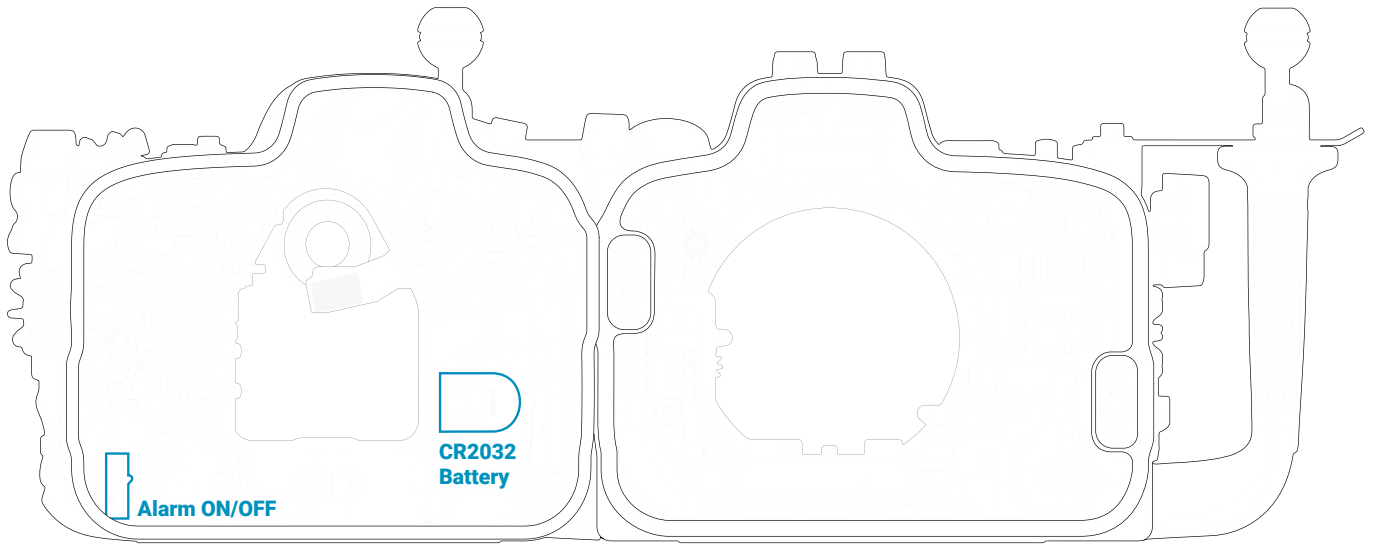
- 2
clean the O-ring groove with a cloth and ensure that it is free from salt or other foreign materials

- 3
lightly coat it with provided lubricant

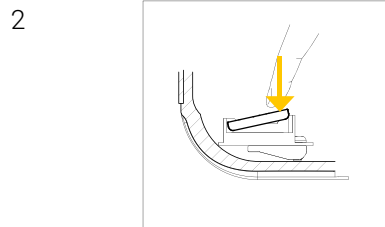
- 4
return the main O-ring by slowly pressing from one corner to the whole perimeter

PREPARATION FOR USE

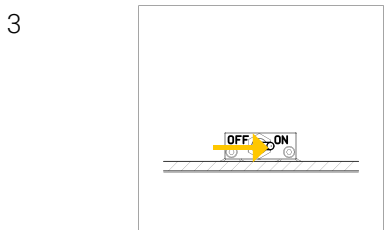
* drawings as illustrations only Setting up moisture alarm



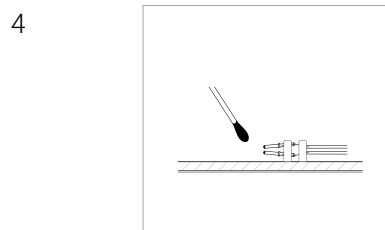
remove battery insulation film



press the battery down until it click into place



switch on the alarm
- the moisture alarm window will flash in **BLUE** when it is working correctly



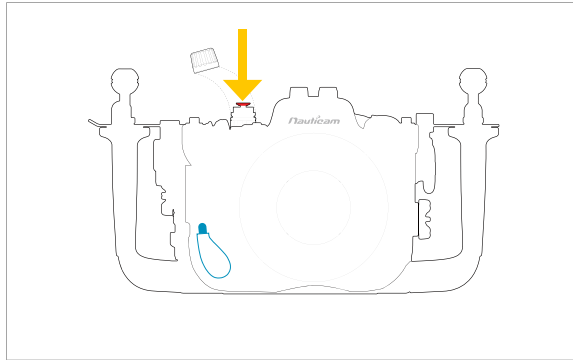
test the alarm
- connect the wires with a dampened cotton bud; the alarm will give a repeating 'beep' and the moisture alarm window will flash **RED**

PREPARATION FOR USE

* drawings as illustrations only

Changing lens/port without opening the housing

1

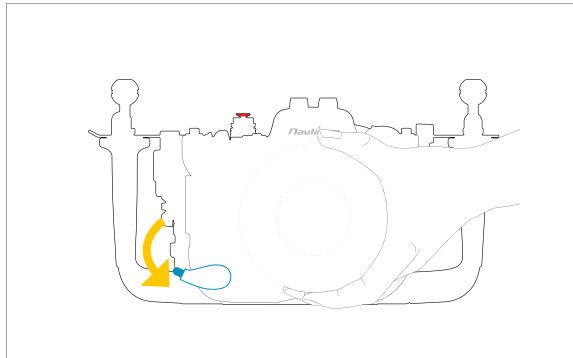


If using with vacuum valve :

remove the cap from the vacuum valve and press the red button to release pressure before unlocking port lock

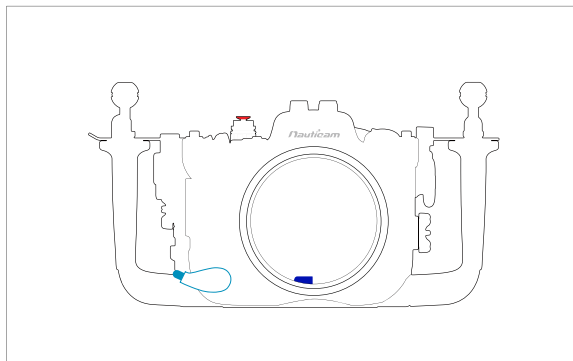
If using without vacuum valve, please follow from step 2

2



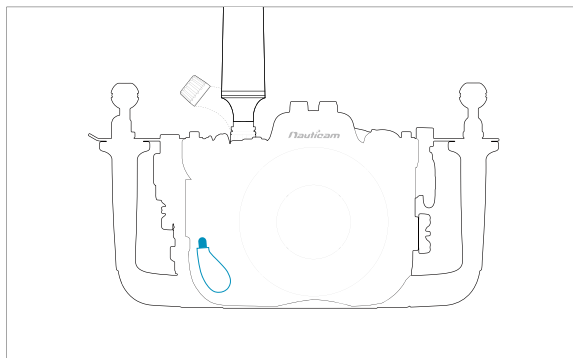
unlock port lock and remove port assembly

3



press the blue button to reset vacuum alarm before replacing port

4

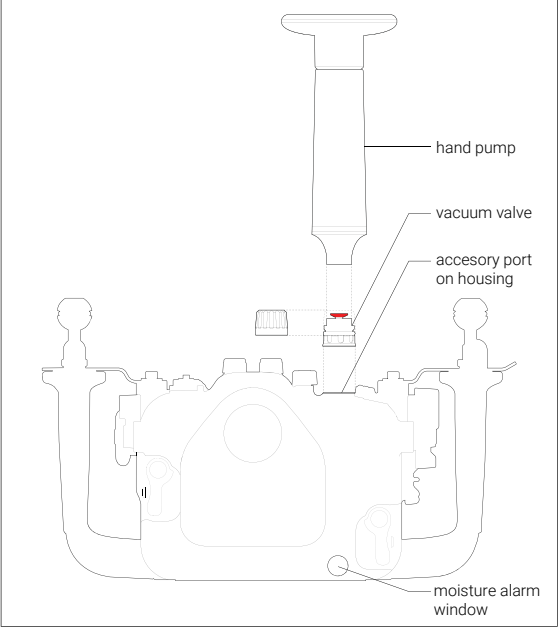


reset vacuum valve system using hand pump then close the cap

* please refer to page 15 on complete vacuum system guidance

RECOMMENDED ACCESSORY

1



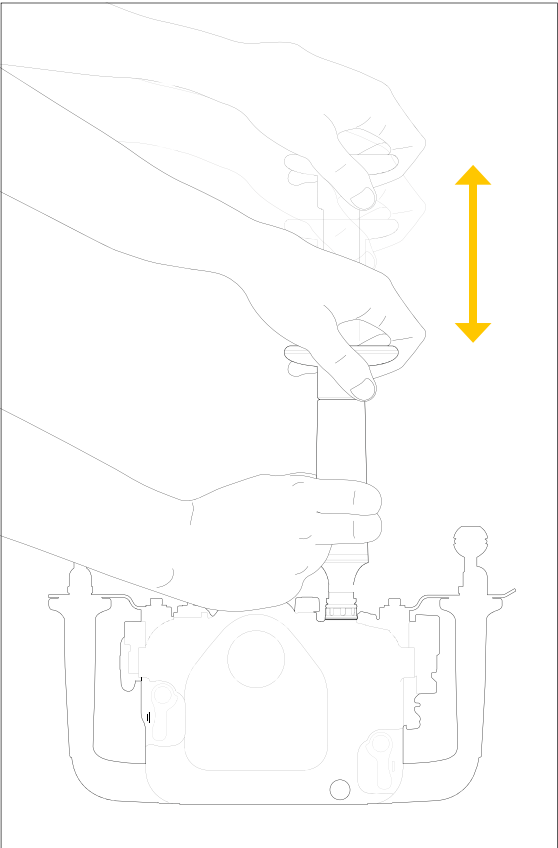
remove the plug of M16 accessory port from the housing

remove the cap from the vacuum valve

slightly lubricate the o-ring and make sure the o-ring is in place

then tighten the vacuum valve to the housing with the tool provided

2



connect hand pump to the valve and pump several times until it reaches the target vacuum level

close vacuum valve cap

Moisture alarm window colour indication :

Steady Blue		device is turned on
Flashing Blue		standby mode, ready for pumping
Steady Green		target vacuum level is reached
Flashing Yellow		vacuum level is dropping
Flashing Red		vacuum is totally lost, circuit stalled until device is switched off
Alternating Blue and Red		vacuum is totally lost, circuit stalled until device is switched off
Steady Red		out of battery

** It is recommended to leave the housing for at least 20mins to ensure it is sealed. If the LED light changes from steady green light to rapidly flashing yellow light, that means there is a leakage. Please check every O-ring and then conduct the vacuum test again.*

CARE/STORAGE

1

Soak the housing system in fresh water after salt water usage

2

Operate all controls and buttons at least 3 times while immersed in fresh water

3

We recommend cleaning and inspecting the main O-ring each time after diving for any damage and every time the housing is opened.

4

Protect the housing with robust and shock-proof travel case during transportation. Do not travel with camera inside housing.

5

We recommend to ship the housing to our service centers for a complete overhaul after 200 dives/every 2 years.

WARRANTY

All NAUTICAM Housing Products and Viewfinders are warranted against any material and manufacturing defects for two years from the date of purchase for consumer use. NAUTICAM Optical Accessories are warranted against material and manufacturing defects for a period of one year, and HDMI cables carry a year warranty.

This warranty only applies to products purchased from authorized NAUTICAM dealers and does not extend beyond the original retail purchaser.

To return your product for service, please contact your regional authorized service center(s). Please note that this warranty only applies when the product is purchased in the territory where the service center is located.

NAUTICAM accepts no liability for any damage to and defects in the housing caused by improper use and/or poor maintenance; it is the responsibility of the owner to carefully follow the instructions in our manuals.

NAUTICAM does not hold responsibility for damage, of any nature, to any equipment used with and/or placed within our products.

NAUTICAM accepts no liability for any loss of captured images or the inability to capture images even if it is due to the malfunctioning of our products.

Unauthorized modifications and/or repairs of our products will automatically invalidate the warranty.

SPECIFICATIONS

Construction

Housing body	Hard Anodized Aluminium Alloy
Display window	Abrasion Resistant Polycarbonate

Dimensions

Width	357 mm
Height	200 mm
Depth	161 mm

Weight

In air	3.50 kg
In water	-0.1 kg (w/ camera & battery)

Depth

Rating	100 m
--------	-------

Port specifications

Port mount	N 120 Port System
Port accessories	1 x M24, 1 x M16, 1 x M14

HDMI connectivity accessories (2.0)

25086 M24 Adaptor for HDMI 2.0 Cable (incl. tightening tool)
25077 M24D1R205-M28A1R170 HDMI 2.0 Cable

Monitor options (2.0)

17922 Nauticam Atomos Ninja V Housing for Atomos Ninja V 5" (excl. HDMI 2.0 cable)
--

HDMI connectivity accessories (1.4)

25033 Standard HDMI Bulkhead with M16 Thread
25081 M24-M16 Step Down Adaptor
25076 HDMI (D-D) Cable in 200mm Length (for internal connection from HDMI bulkhead to camera)

Monitor options (1.4)

17923 NA-Shinobi-H Housing for Atomos Shinobi 5.2" 4K HDMI Monitor
17920 NA-502B-H Housing for SmallHD 502 Bright Monitor

Recommended accessories

25625 M16 Vacuum Valve II (pushbutton release)
32201 180° Straight Viewfinder
32203 45° Viewfinder
26321 TTL Flash Trigger for Canon
19561 Gear for Canon EF-EOS R Control Ring Mount Adaptor
26320 Control Kit for Canon Drop-in Filter Mount Adaptor EF-EOS R

Wet Lens Compatibility

Macro	81201	Super Macro Converter 1 (SMC-1, 2.3x magnification)
	81202	Super Macro Converter 2 (SMC-2, 4.0x magnification)
Macro to Wideangle	87302	EMWL Set#2 (incl. focusing unit #2, 150mm relay lens & 3 objective lenses)
Wideangle	85201	0.36x Wide Angle Conversion Port with Aluminium Float Collar (incl. N120 to N100 port adaptor)
	85204	0.57x Wide Angle Conversion Port 2 with Aluminium Float Collar (compatible with 14mm lenses)

Nauticam Internationl Ltd.

Rm 2203, CCT Telecom Bldg,
11 Wo Shing St,
Fo Tan,
Hong Kong

Tel. +852 - 26902711
Fax. +852 - 26909778
URL. www.nauticam.com
Gallery. www.nauticam.smugmug.com