

21235 N120 Extension Ring 35 with Focus Knob

Instruction Manual

FOREWORD

Thank you for your purchase of a NAUTICAM product.

At NAUTICAM, we pride ourselves in the ability to recognize the requirements of professional as well as amateur underwater photographers and fulfill them through the innovative designs of our products. We strive to achieve a high level of user-friendliness by allowing stress-free installation and easy operation of all important functions of the camera.

Each product is individually inspected and water pressure tested to ensure optimum quality.

Please read this manual carefully before using the product, this will maximize its performance as well as its lifetime

WARRANTY

All NAUTICAM Products are warranted against any material and manufacturing defects for two years from the date of purchase for consumer use. This warranty only applies to products purchased from authorized NAUTICAM dealers and does not extend beyond the original retail purchaser.

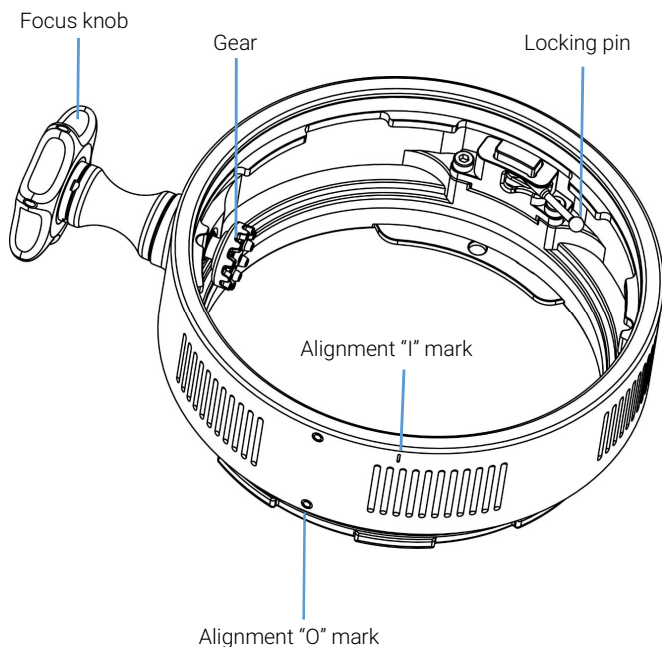
To return your product for service, please contact your regional authorized service center(s). Please note that this warranty only applies when the product is purchased in the territory where the service center is located.

NAUTICAM does not hold responsibility for damage, of any nature, to any equipment used with and/or placed within our products.

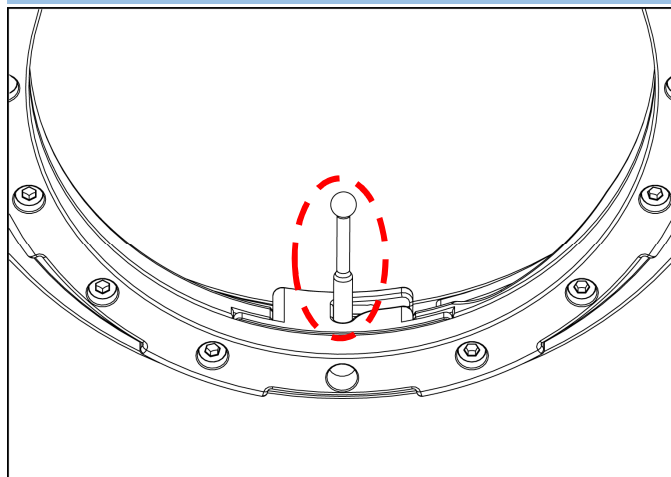
NAUTICAM accepts no liability for any loss of captured images or the inability to capture images even if it is due to the malfunctioning of our products.

Unauthorized modifications and/or repairs of our products will automatically invalidate the warranty.

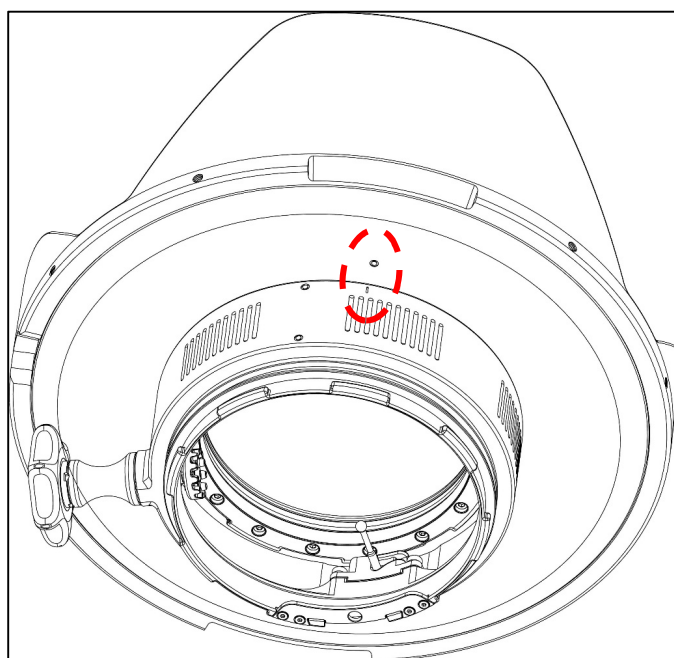
IDENTIFICATION OF PARTS



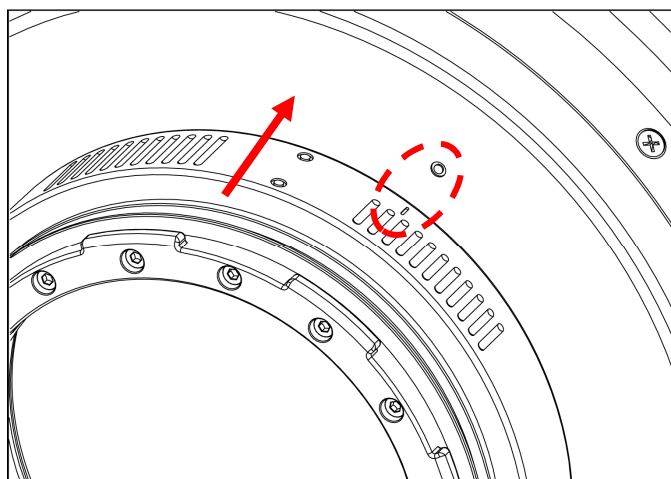
MOUNTING THE EXTENSION RING ON A PORT



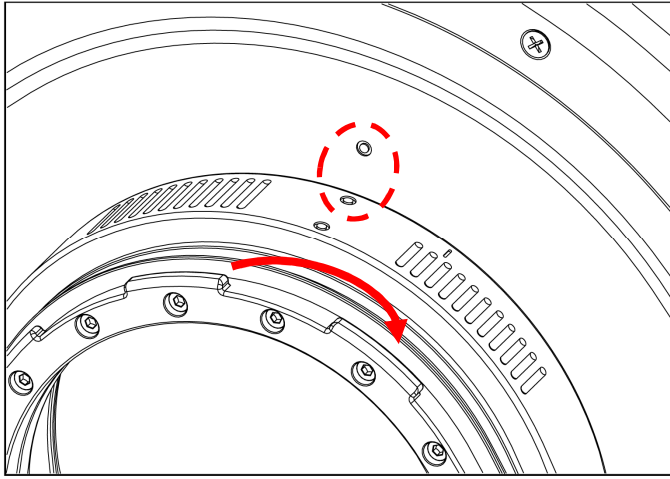
1. Confirm that the extension ring is unlocked, with the locking pin pointing upwards as shown.



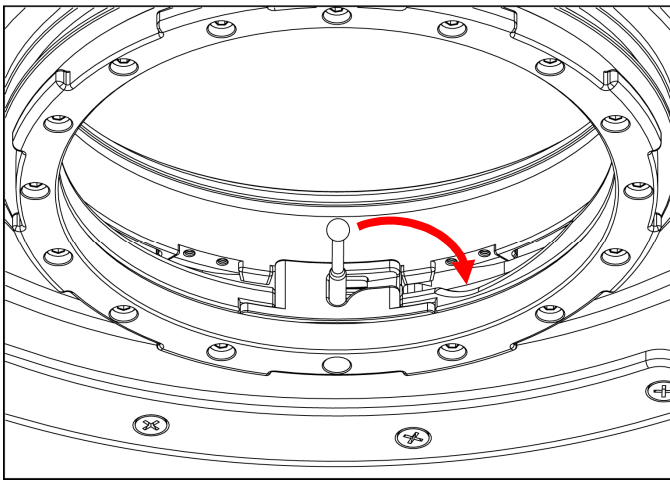
2. Align the "1" mark on the extension ring with the WHITE dot on the port.



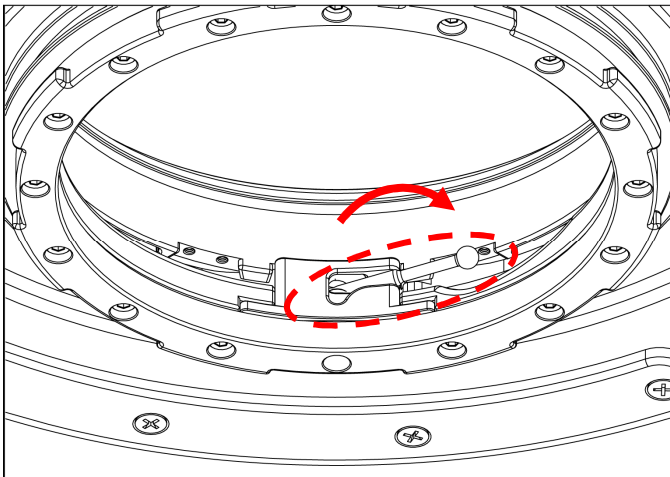
3. Gently push the extension ring towards the port until it cannot go any further.



4. Turn the extension ring clockwise until the white dot on the extension ring aligns with the white dot on the port.



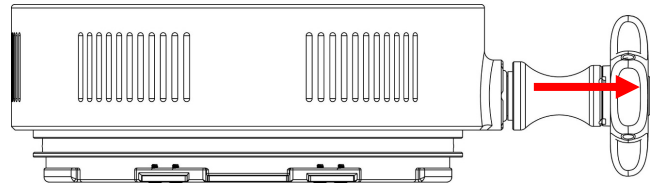
5. To lock the extension ring, push the locking pin inwards.



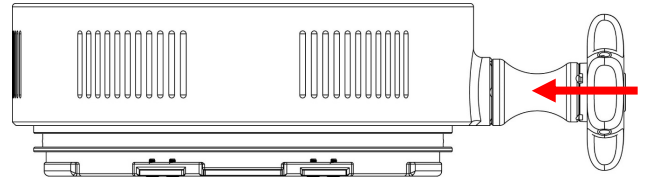
6. Turn the locking device sideways into the recess. Ensure that the locking device is secured inside the recess and the extension ring is securely locked with the port.

To unlock, insert a small screwdriver into the recess to lift the locking device, then reverse the above procedures.

MOUNTING THE EXTENSION RING TO THE HOUSING



1. Make sure the control knob is at its most outwards position before mounting/unmounting the extension ring. The knob should be left at this position until it is made sure that the lens and focus gear is properly installed.



2. Engage the gear by pushing in the knob, then turn the knob both ways to check if the lens focuses.

SPECIFICATIONS

Dimensions:	Dia145mm x 50mm
Extension Length:	35mm
Port Mount:	N120
Depth Rating:	150m

Remark: Nauticam supports only e-manuals. Please download corresponding product manuals on Nauticam.com website, or contact us for e-manuals.