

## 19566 C2870f3.5II-F Focus Gear for Canon EF 28-70mm f/3.5-4.5 II

Instruction Manual

### FOREWORD

Thank you for your purchase of a NAUTICAM product.

At NAUTICAM, we pride ourselves in the ability to recognize the requirements of professional as well as amateur underwater photographers and fulfill them through the innovative designs of our products. We strive to achieve a high level of user-friendliness by allowing stress-free installation and easy operation of all important functions of the camera.

Please read this manual carefully before using the product, this will maximize its performance as well as its lifetime.

### WARRANTY

All NAUTICAM Products are warranted against any material and manufacturing defects for two years from the date of purchase for consumer use. This warranty only applies to products purchased from authorized NAUTICAM dealers and does not extend beyond the original retail purchaser.

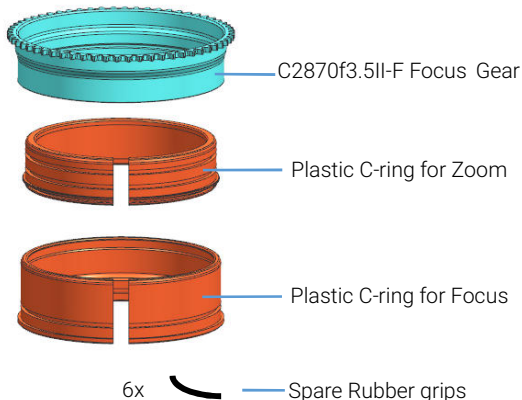
To return your product for service, please contact your regional authorized service center(s). Please note that this warranty only applies when the product is purchased in the territory where the service center is located.

NAUTICAM does not hold responsibility for damage, of any nature, to any equipment used with and/or placed within our products.

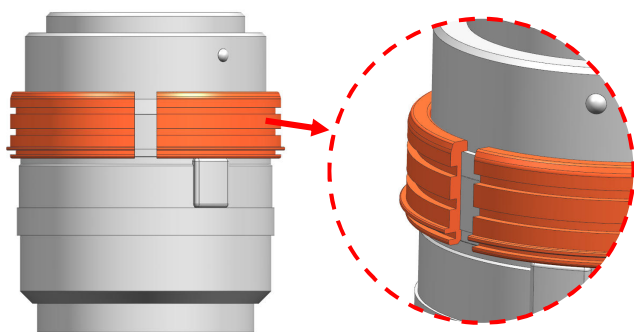
NAUTICAM accepts no liability for any loss of captured images or the inability to capture images even if it is due to the malfunctioning of our products.

Unauthorized modifications and/or repairs of our products will automatically invalidate the warranty.

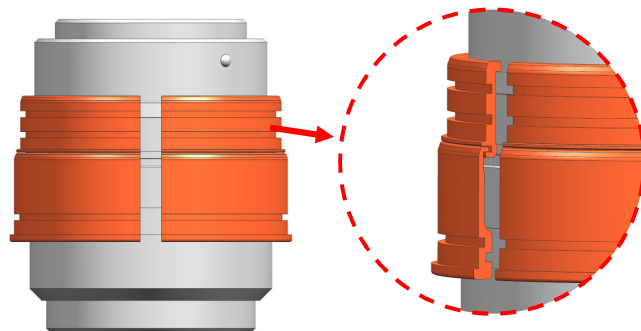
### IDENTIFICATION OF PARTS



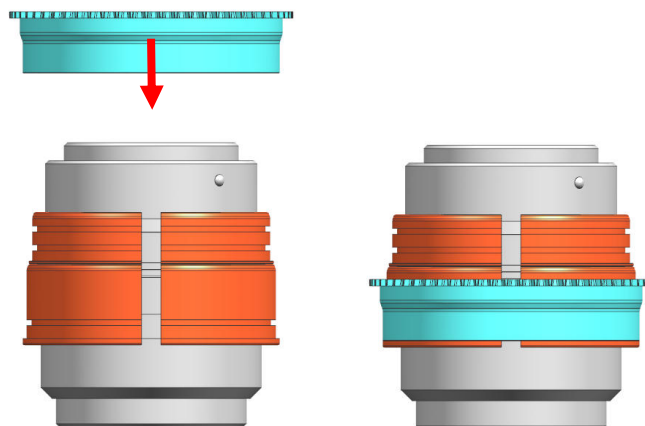
### MOUNTING THE GEAR ON A LENS



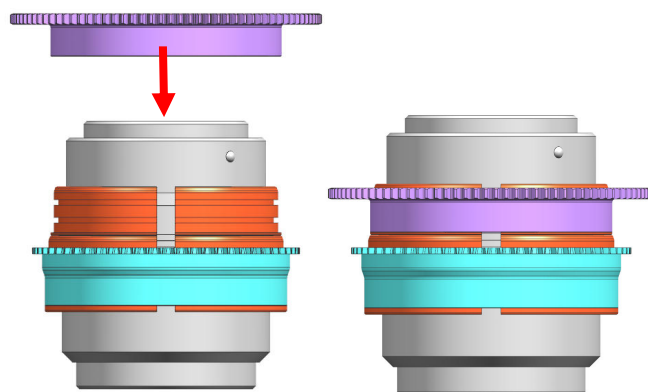
1. Insert the plastic C-ring for Zoom as shown and place it over the lens



2. Insert the plastic C-ring for Focus as shown and place it over the lens, then lock the zoom c-ring as shown.



3. Insert the C2870f3.5II-F Focus gear on the plastic C-ring for Focus until it reaches the flange of the plastic C-ring.



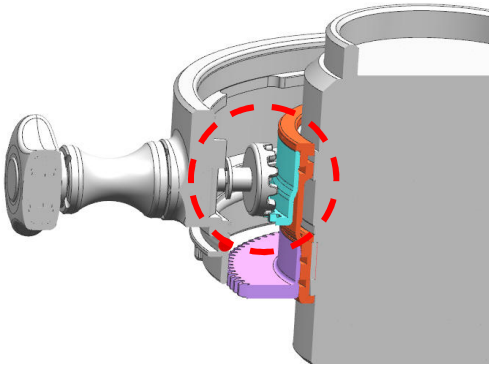
4. Insert the **#19557** C2870f3.5II-Z Zoom gear on the plastic C-ring for Zoom until it reaches the flange of the plastic C-ring.

If ONLY #19557 is required to use with this lens, please refer to #19557 C2870f3.5II-Z Zoom Gear manual.

5. To remove the C2870f3.5II-F Focus gear, reverse the above steps.

The tightness between the C2870f3.5II-F Focus gear and the lens can be adjusted by removing or adding rubber grips on either sides of the plastic C-ring, spare rubber grips are included in the package.

## CONTROLLING THE GEAR



1. The C2870f3.5II-F Focus gear can be controlled through the focus knob of #21230 N120 Extension ring 30 with focus knob.

After mount the camera and lens gear into the housing and port, confirm that the focus knob operates correctly. Zoom function is controlled through the housing zoom knob.

### SPECIFICATIONS

Dimensions:	DIA87.5×19.0
Type:	Focus gear
Compatible lens:	Canon EF 28-70mm f/3.5-4.5 II
Compatible adaptor/extension ring:	21230 N120 Extension ring 30 with focus knob

Remark: Nauticam supports only e-manuals. Please download corresponding product manuals on [Nauticam.com](http://Nauticam.com) website, or contact us for e-manuals.