

# NA - α1

For Sony Alpha 1 Mirrorless Digital Camera

PN 17430

## User Manual

Housing

FF-MIL

Introduction	2
Package Contents	2
Important Instructions	3
Part Names and Functions	4
Opening the housing	7
Closing the housing	8
Preparation for Use	9
Recommended Accessory	15
Care/Storage	16
Warranty	17
Specifications	18

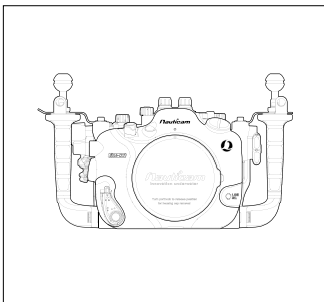
# INTRODUCTION

Thank you for purchasing this Nauticam product.

Before using the product, please read this manual thoroughly to familiarize yourself with full scope of functions on the product as well as ensuring that you will use the product correctly.

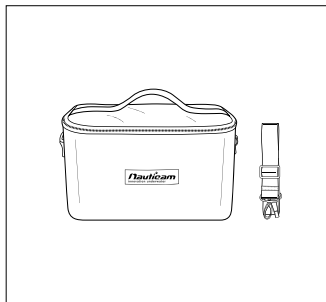
# PACKAGE CONTENTS

Make sure that you have all the included items listed below before using this product. If some items are missing or damaged, contact your local Nauticam dealer.

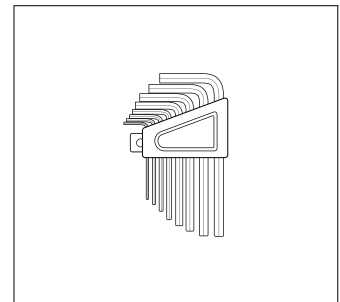


NA-α1

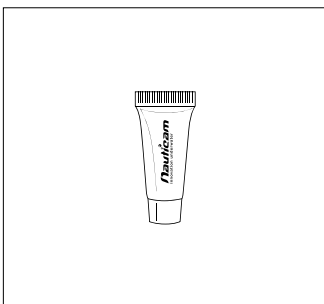
(2 x Handles with Mounting Balls, 1 x Housing Cap, 2 x Optical Fiber Mount Caps, 2 x Stainless Steel Handle Brackets)



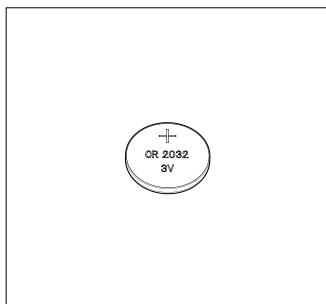
Padded Travel Case



Allen key set

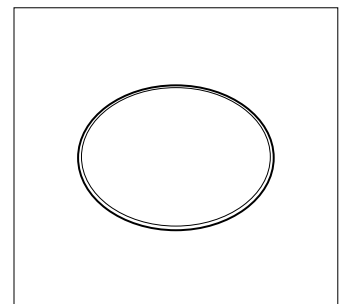


Lubricant



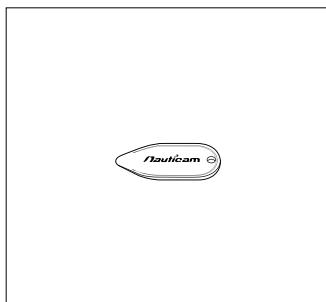
Panasonic CR2032 Battery

(pre-installed for Moisture Alarm)

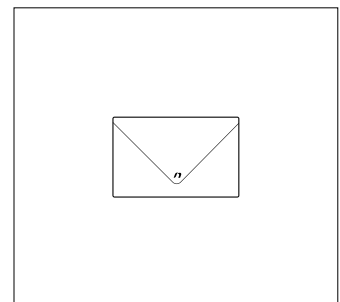


Spare Main O-ring

After purchase, we suggest that you reuse all packaging materials for future travelling.



O-ring Remover



Manual Instruction Card

# IMPORTANT INSTRUCTIONS

1

Water-tight test of the housing (without camera inside) before usage is recommended as well as any O-ring renewal and port change.

2

Do not seal the housing when travelling by air as this may lead to a pressure difference between the atmosphere and inside the housing.

3

Only the accessories specified by Nauticam must be used. Third-party accessories may result in malfunctions or damage to the product.

4

Use only Nauticam lubricant on silicone rubber O-ring.

5

Do not stretch any O-rings excessively. Only remove it using Nauticam O-ring remover.



6

Discontinue use immediately when there is a sign of leakage.

7

Do not attempt to remove parts of the housing yourself. Repairs must be done at authorized service centers only.

8

The housing should be positioned on the a stable and safe surface on land.

9

Do not expose the housing in direct sunlight for a prolonged period.

10

Do not open the housing in wet or sandy environment. Protect the housing from moisture and debris in order to prevent malfunction or leakage.

11

Prevent any sand or dust or water penetration inside the housing. Be extra careful when changing lens and inserting or removing the camera.

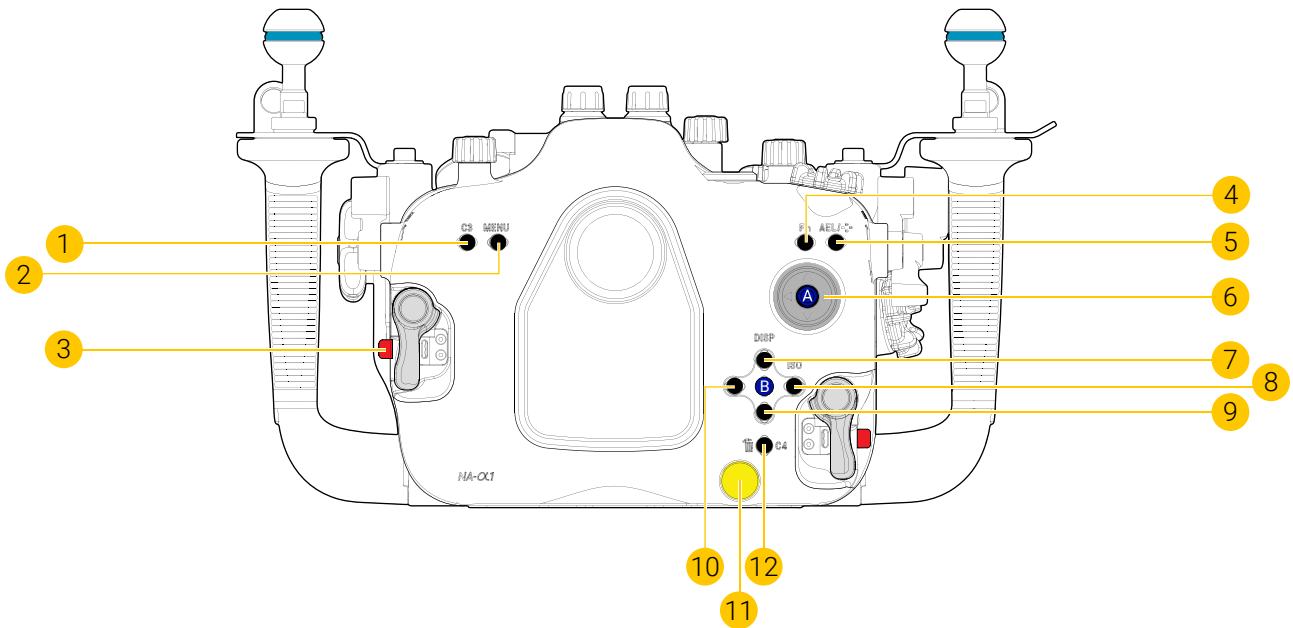


12

This product is not intended for use by children, or persons with reduced physical, sensory or mental capabilities, or lack of experience and knowledge, unless they are supervised and/or given instruction by a responsible person concerning use of the product to ensure that they can use it safely.

# PART NAMES AND FUNCTIONS

Rear View

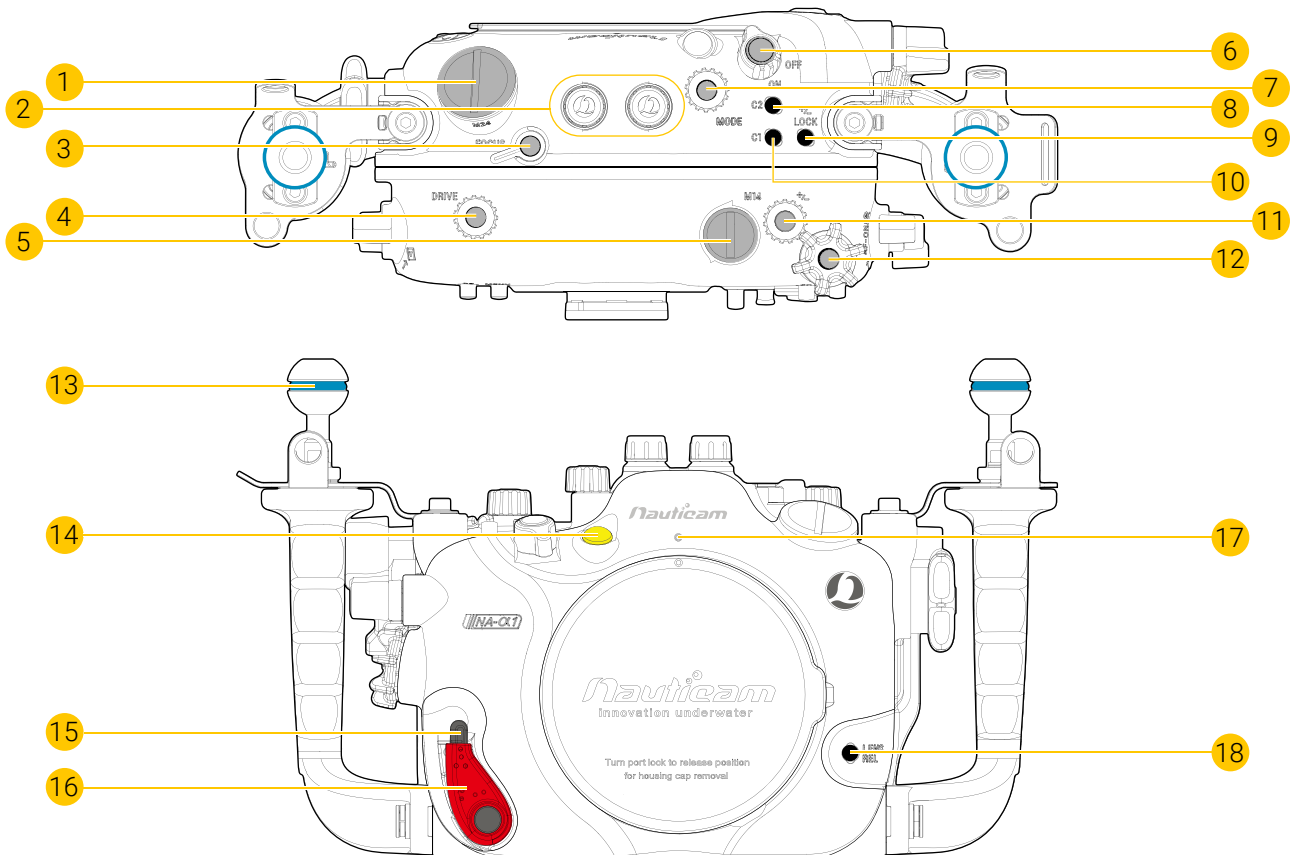


- |    |                         |    |                        |
|----|-------------------------|----|------------------------|
| 1  | C3 button               | 2  | Menu button            |
| 3  | Housing unlock button   | 4  | Fn button              |
| 5  | AEL/Image index button  | 6  | Multi selector         |
| 7  | Display button          | 8  | ISO button             |
| 9  | Control wheel - bottom  | 10 | Control wheel - left   |
| 11 | Moisture alarm window   | 12 | C4/Delete button       |
| A  | Multi selector - center | B  | Control wheel - center |



# PART NAMES AND FUNCTIONS

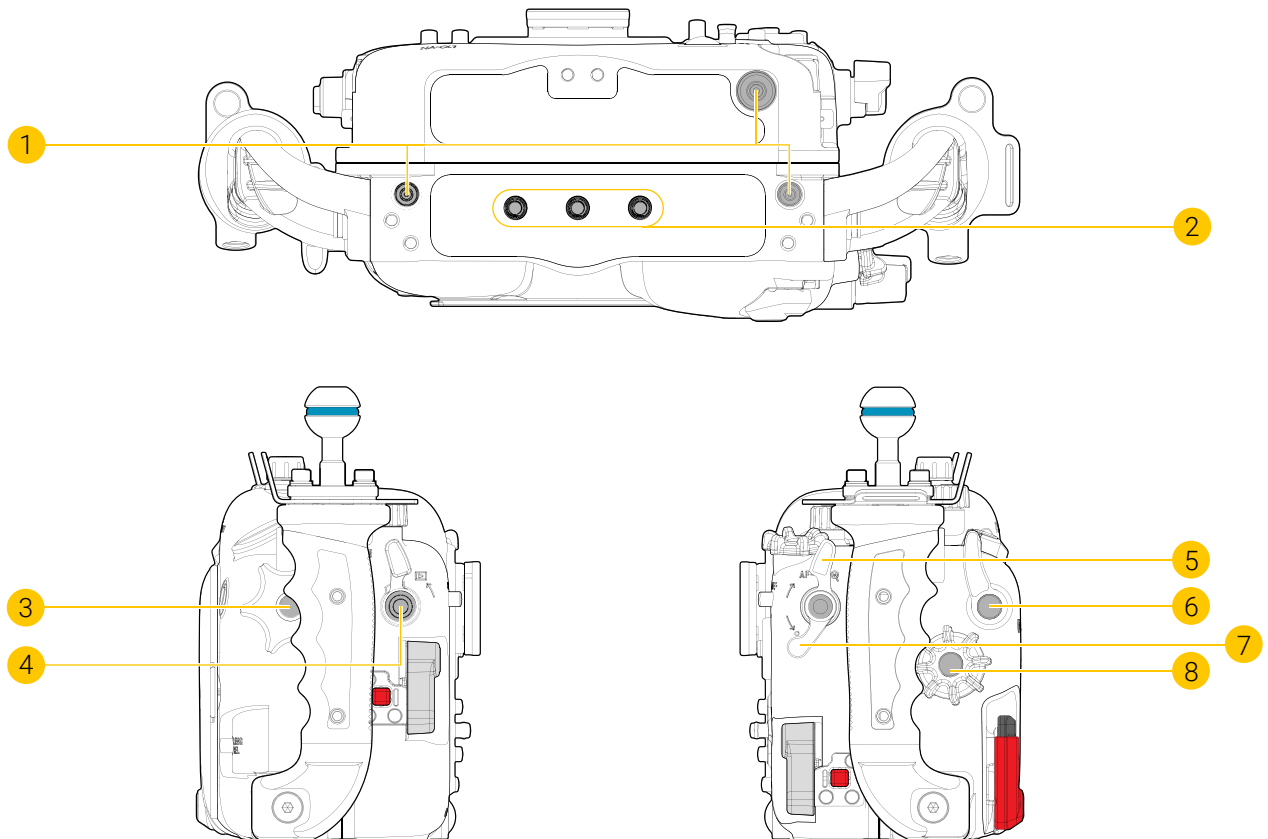
Top + Front Views



- |    |                            |    |                                     |
|----|----------------------------|----|-------------------------------------|
| 1  | M24 Accessory port         | 2  | Optical fiber cable connection      |
| 3  | Focus mode lever           | 4  | Drive mode dial                     |
| 5  | M14 Accessory port         | 6  | Main switch                         |
| 7  | Mode dial                  | 8  | C2 button                           |
| 9  | Exposure compensation lock | 10 | C1 button                           |
| 11 | Exposure compensation dial | 12 | Rear dial                           |
| 13 | Accessory mounting ball    | 14 | AF illuminator/Visible light sensor |
| 15 | Port lock safety button    | 16 | Port locking lever                  |
| 17 | Port index mark            | 18 | Lens release button                 |

# PART NAMES AND FUNCTIONS

Back + Side Views



1 Sacrificial Zinc Anodes

3 Zoom/Focus dial

5 AF ON/Enlarge lever

7 Movie lever

2 1/4" Threaded tripod holes

4 Playback lever

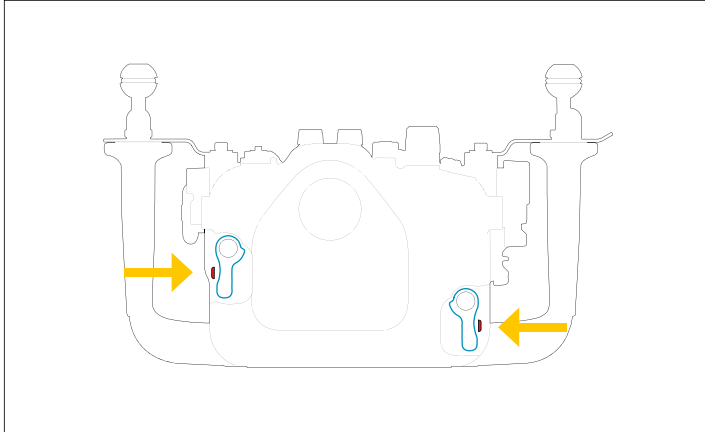
6 Shutter release lever

8 Front dial

# OPENING THE HOUSING

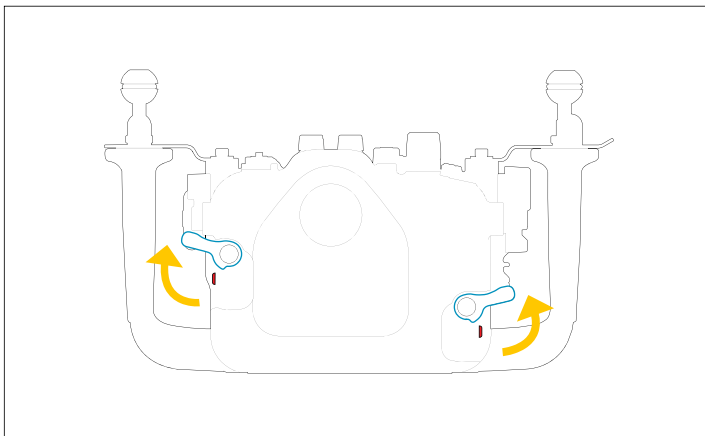
\* drawings as illustrations only

1



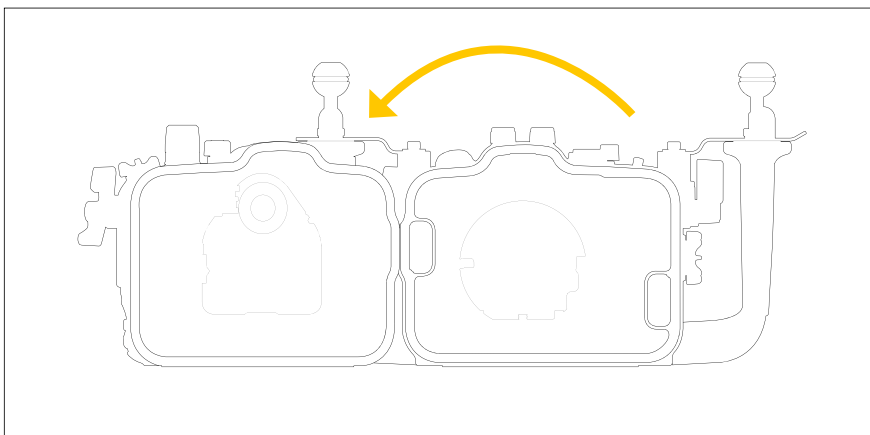
depress housing unlock button

2



turn housing lock outward

3

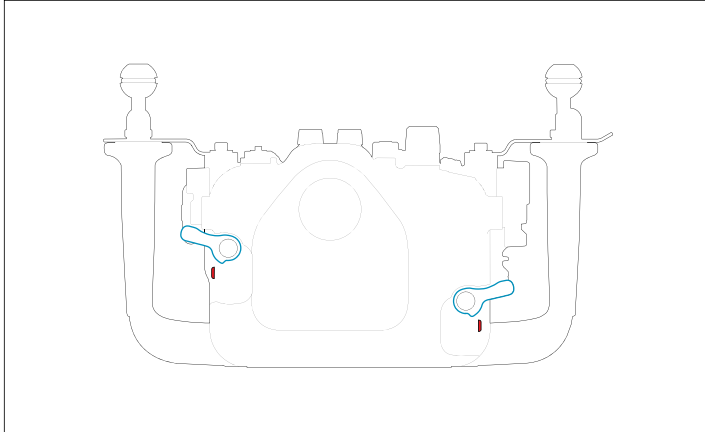


lift up the back housing

# CLOSING THE HOUSING

\* drawings as illustrations only

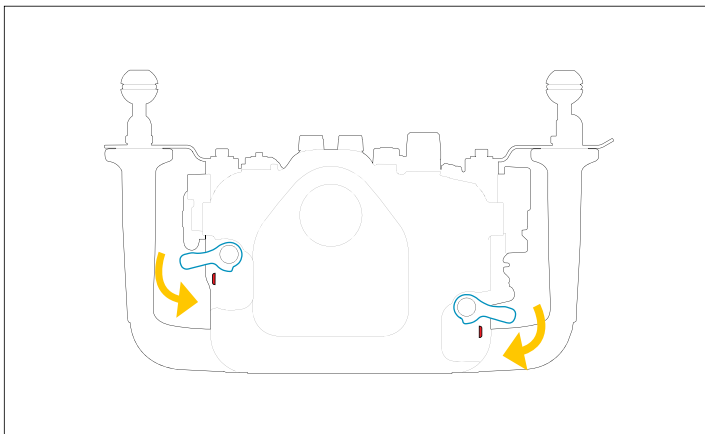
1



before closing the housing, clean and lubricate the main O-ring

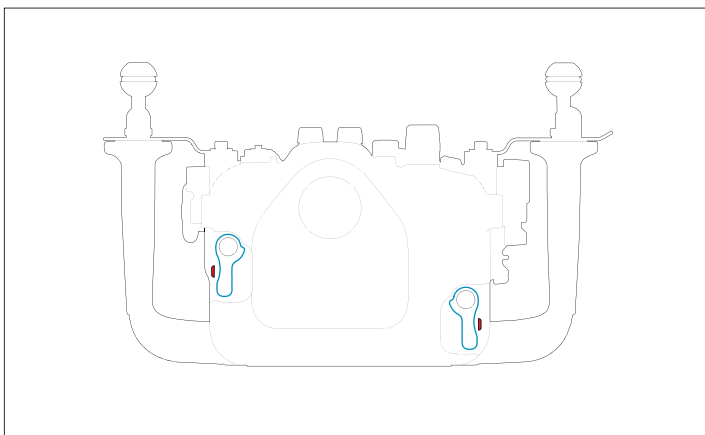
make sure nothing is caught between front and back housing and that they are fully aligned before locking

2



turn housing lock inward until you hear and feel it click into place

3



housing locked in place securely

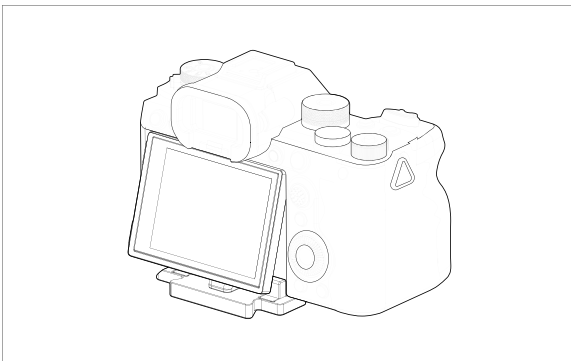
# PREPARATION FOR USE

\* drawings as illustrations only

Installing the Camera - camera tray attachment 1

Choose monitor angle at your preference before attaching the camera tray onto the camera.

## Camera Tray position 1 - Tilted Monitor



To obtain switchable VF/Monitor while diving with tilted monitor, please follow the below camera manual settings :

Sets the method for switching the display between the viewfinder and the monitor.

1 MENU → [Setup] → [Finder/Monitor] → [Select Finder/Monitor] → desired setting.

### Menu item details

#### Auto:

When you look into the viewfinder, the eye sensor reacts and the display is switched to the viewfinder automatically.

#### VF(Manual):

The monitor is turned off and the image is displayed only in the viewfinder.

#### Monitor(Manual):

The viewfinder is turned off and the image is always displayed on the monitor.

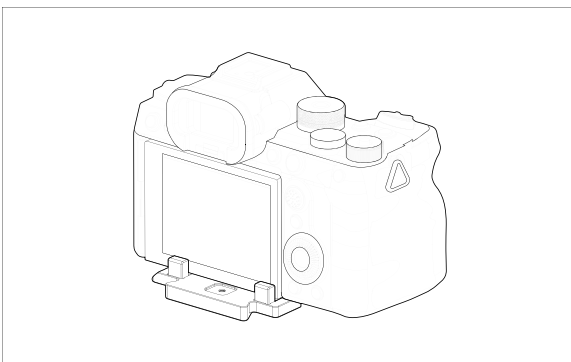
#### Hint

- You can assign the [Select Finder/Monitor] function to your preferred key. [Custom Key Setting], [Custom Key Setting] or [Custom Key Setting] → set [Finder/Monitor Sel.] to the preferred key.
- If you want to retain the viewfinder display or the monitor display, set [Select Finder/Monitor] to [VF(Manual)] or [Monitor(Manual)] beforehand. You can keep the monitor off when you take your eyes off the viewfinder during recording by setting the monitor display to [Monitor Off] using the DISP button. Select [DISP (Screen Disp) Set] → [Monitor] and add a check mark to [Monitor Off] beforehand.

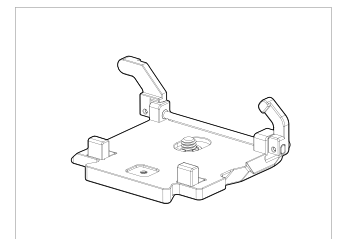
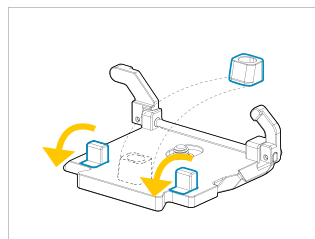
#### Note

- Depending on whether the monitor is open or closed and the angle of the monitor, the eye sensor of the camera may not detect your eye approaching even if [Select Finder/Monitor] is set to [Auto].
- Under strong light sources such as sunlight, the eye sensor may not detect your eye approaching and the display may not switch to the viewfinder even when [Select Finder/Monitor] is set to [Auto]. In such cases, keep the eye sensor from being exposed to the light source.

## Optional Camera Tray position 2 - Flat Monitor



Please also refer to Sony VF/Monitor setting above for desired monitor setting



untighten the camera tray clamp screws at the back of the camera tray, then turn the clamps 180° and tighten the screws

remove the center monitor support clamp

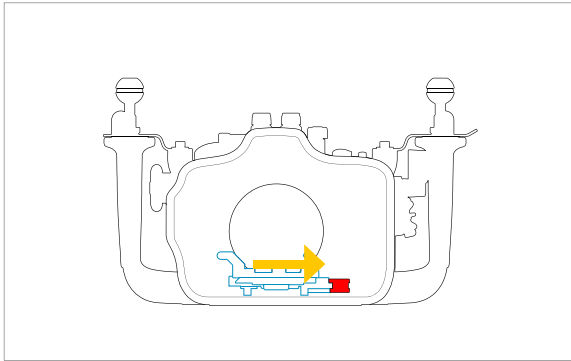
\* This optional setup could support the use of Sony A7RSIII camera in this housing and 17430UK Conversion kit is required.

# PREPARATION FOR USE

\* drawings as illustrations only

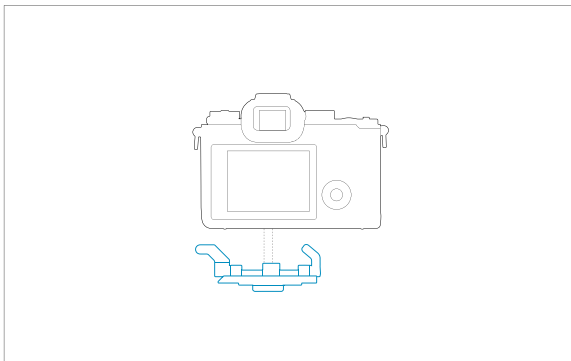
Installing the Camera - camera tray attachment 2

1



unlock camera tray lever and remove the tray from the housing

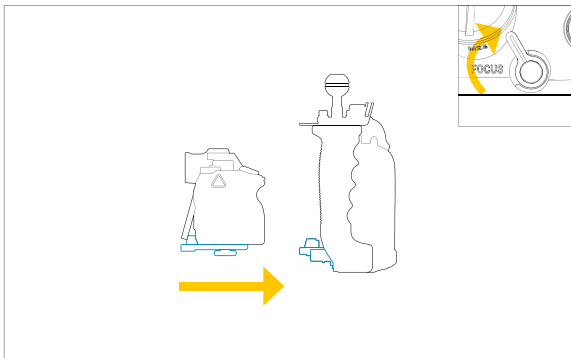
2



flip open the monitor for camera tray position 1

attach the camera tray by tightening the tray screw into the tripod socket of the camera

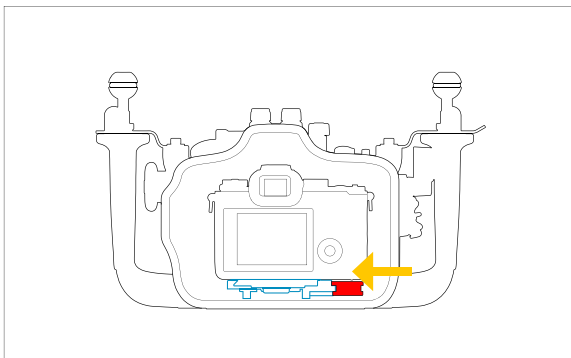
3



*\* lift up and turn the Focus lever each time before installing the camera*  
*\* pull out the zoom/focus knob if installing the camera with lens and gear attached*  
*\* please refer to page 10 for lens installment before sliding in the camera*

slide the camera tray back into the housing along the tray rail

4



lock camera tray

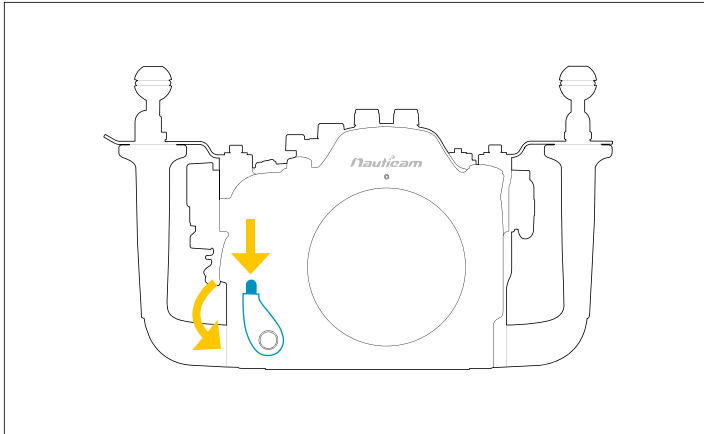
*\* gently push the Focus lever downwards and make sure they are engaged with the lever on the camera*  
*\* place the zoom/focus knob in place and make sure it is engaged with lens gear*

# PREPARATION FOR USE

\* drawings as illustrations only

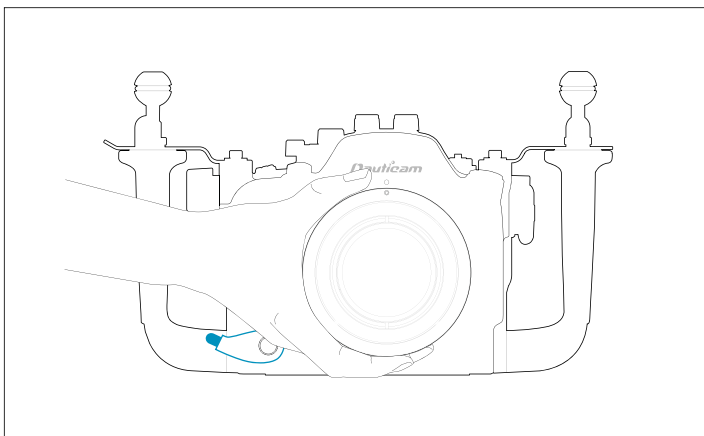
Port Mounting

1



depress safety button and rotate anti-clockwise

2

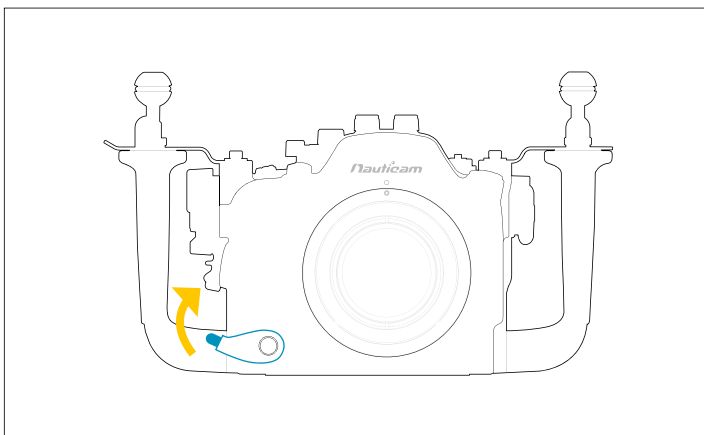


lubricant the port O-ring before mounting

align index mark

push port assembly straight in

3

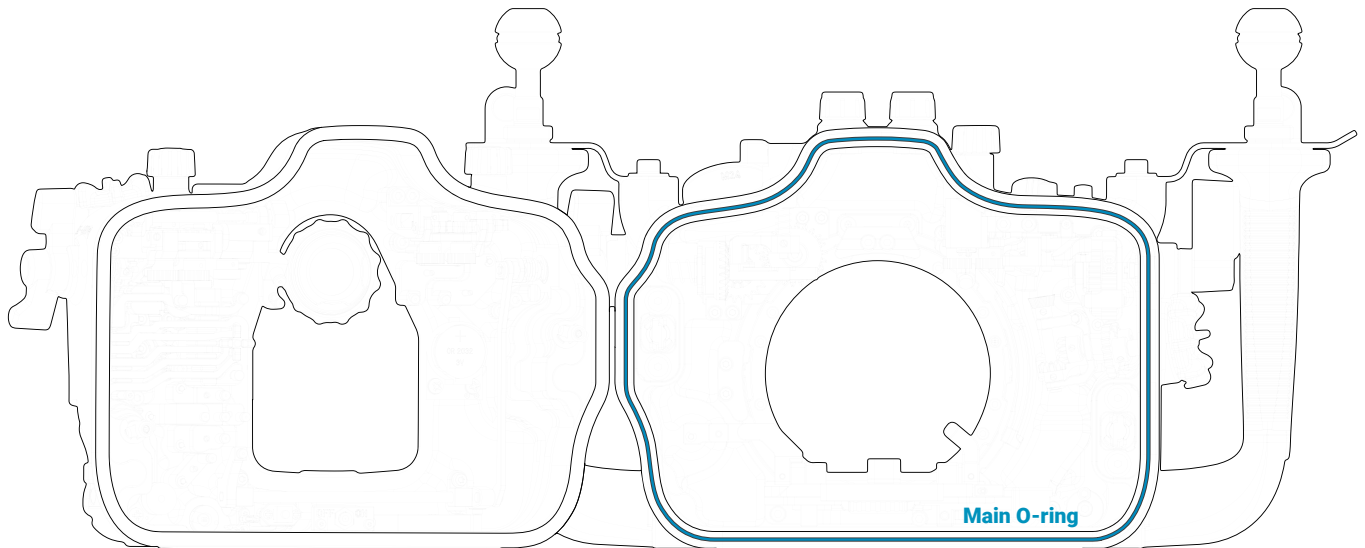


rotate locking lever clockwise to lock

# PREPARATION FOR USE

\* drawings as illustrations only

Coating housing O-ring



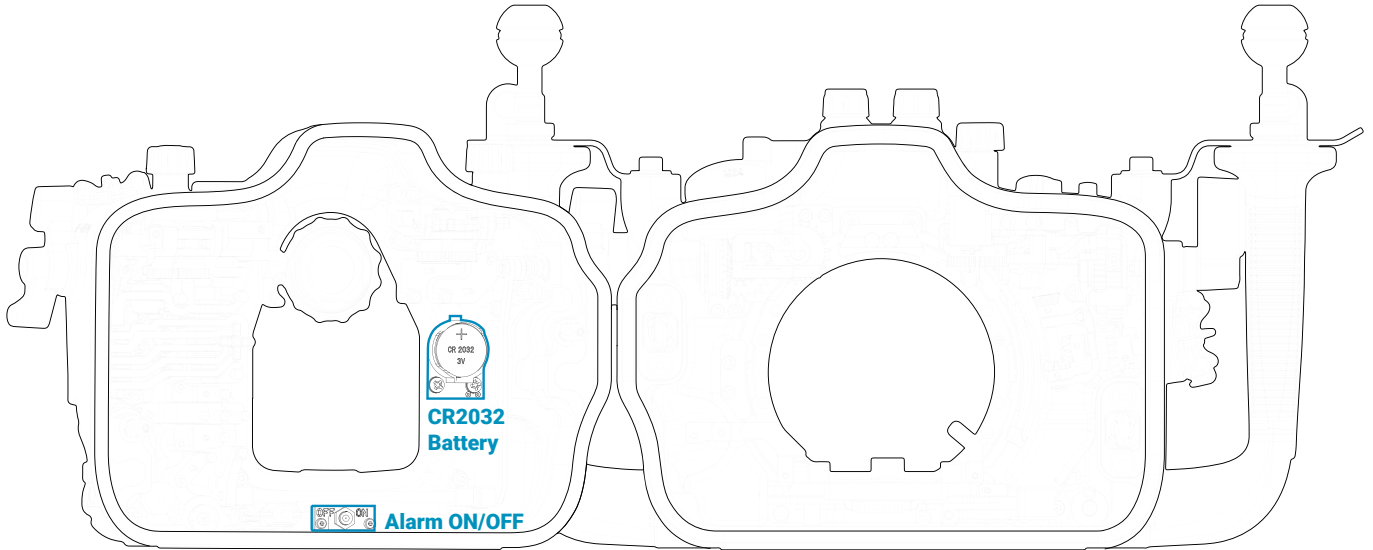
- 1  
remove the main O-ring using an O-ring remover
  
- 2  
clean the O-ring groove with a cloth and ensure that it is free from salt or other foreign materials
  
- 3  
lightly coat it with provided lubricant
  
- 4  
return the main O-ring by slowly pressing from one corner to the whole perimeter



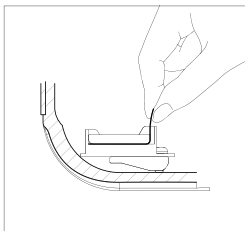
# PREPARATION FOR USE

\* drawings as illustrations only

Setting up moisture alarm

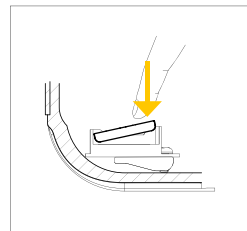


1



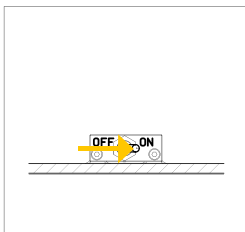
remove battery insulation film

2



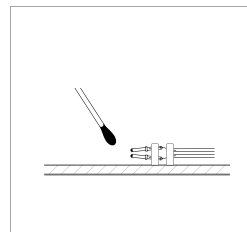
press the battery down until it click into place

3



switch on the alarm  
- the moisture alarm window will flash in **BLUE** when it is working correctly

4



test the alarm  
- connect the wires with a dampened cotton bud; the alarm will give a repeating 'beep' and the moisture alarm window will flash **RED**

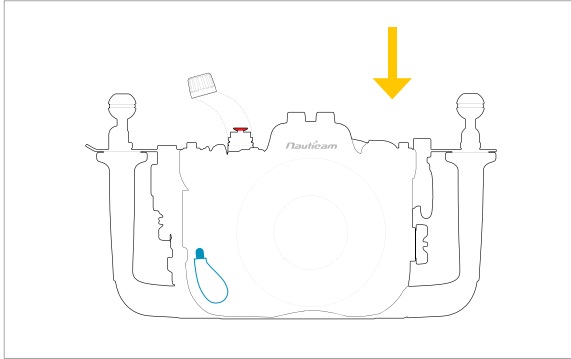
\* please contact our authorized service centers if testing fails  
\*please refer to page 15 for complete vacuum system guidance

# PREPARATION FOR USE

\* drawings as illustrations only

Changing lens/port without opening the housing

1

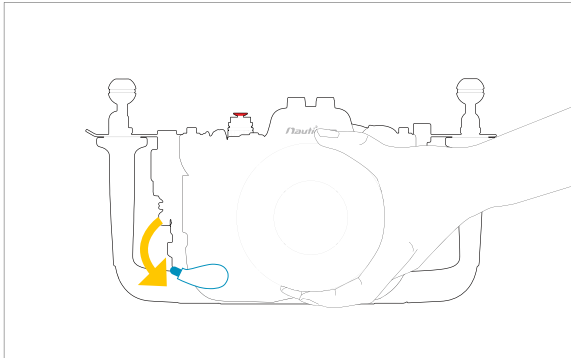


If using with vacuum valve :

remove the cap from the vacuum valve and press the red button to release pressure before unlocking port lock

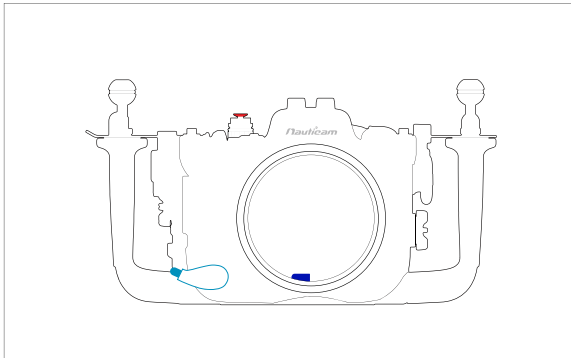
If using without vacuum valve, please follow from step 2

2



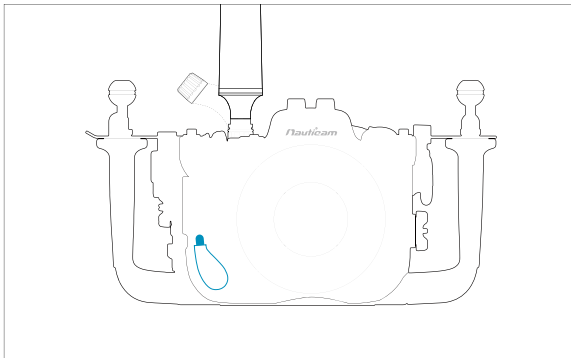
unlock port lock and remove port assembly

3



press the blue button to reset vacuum alarm before replacing port

4



reset vacuum valve system using hand pump then close the cap

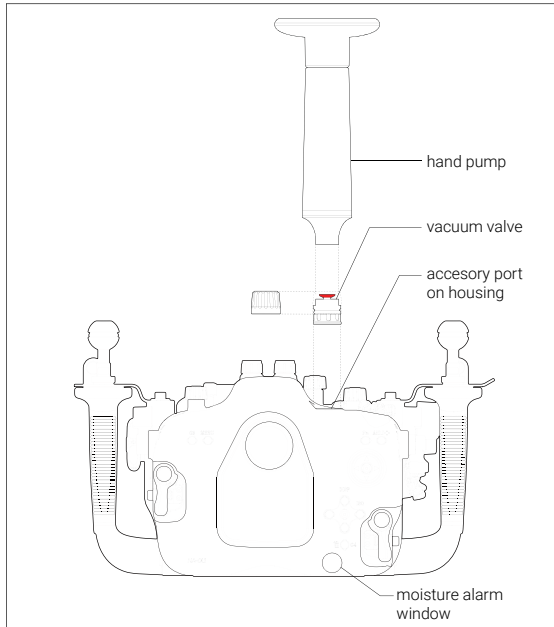
\* please refer to page 15 for complete vacuum system guidance

# RECOMMENDED ACCESSORY

\* drawings as illustrations only

Vacuum valve system

1

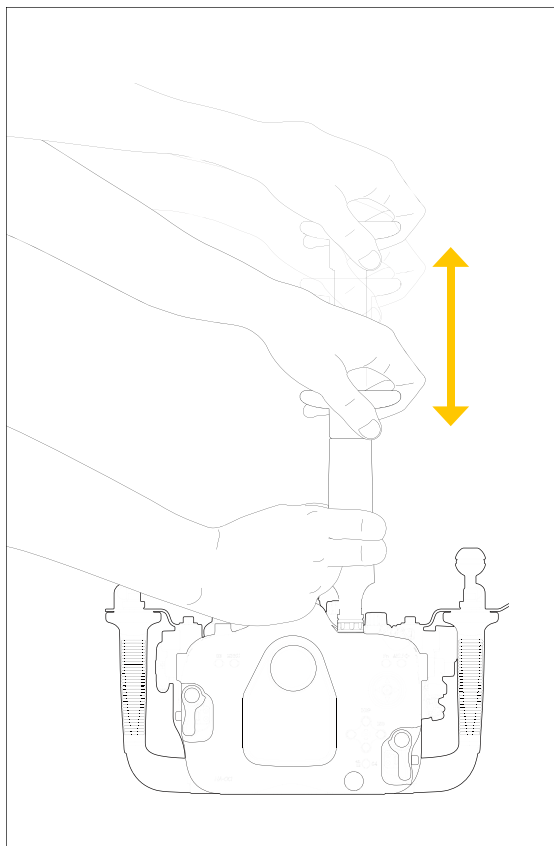


remove the plug of M14 accessory port from the housing

remove the cap from the vacuum valve

slightly lubricate the o-ring and tighten the vacuum valve to the housing with the tool provided

2



connect hand pump to the valve and pump several times until it reaches the target vacuum level

close vacuum valve cap

Moisture alarm window colour indication :

Steady Blue		device is turned on
Flashing Blue		standby mode, ready for pumping
Steady Green		target vacuum level is reached
Flashing Yellow		vacuum level is dropping
Flashing Red		vacuum is totally lost, circuit stalled until device is switched off
Alternating Blue and Red		vacuum is totally lost, circuit stalled until device is switched off
Steady Red		out of battery

*\* It is recommended to leave the housing for at least 20mins to ensure it is sealed. If the LED light changes from steady green light to rapidly flashing yellow light, that means there is a leakage. Please check every O-ring and then conduct the vacuum test again.*

## CARE/STORAGE

1

Soak the housing system in fresh water after salt water usage

2

Operate all controls and buttons at least 3 times while immersed in fresh water

3

We recommend cleaning and inspecting the main O-ring each time after diving for any damage and every time the housing is opened.

4

Protect the housing with robust and shock-proof travel case during transportation. Do not travel with camera inside housing.

5

We recommend to ship the housing to our service centers for a complete overhaul after 200 dives/every 2 years.

# WARRANTY

All NAUTICAM Housing Products and Viewfinders are warranted against any material and manufacturing defects for two years from the date of purchase for consumer use. NAUTICAM Optical Accessories are warranted against material and manufacturing defects for a period of one year, and HDMI cables carry a year warranty.

This warranty only applies to products purchased from authorized NAUTICAM dealers and does not extend beyond the original retail purchaser.

To return your product for service, please contact your regional authorized service center(s). Please note that this warranty only applies when the product is purchased in the territory where the service center is located.

NAUTICAM accepts no liability for any damage to and defects in the housing caused by improper use and/or poor maintenance; it is the responsibility of the owner to carefully follow the instructions in our manuals.

NAUTICAM does not hold responsibility for damage, of any nature, to any equipment used with and/or placed within our products.

NAUTICAM accepts no liability for any loss of captured images or the inability to capture images even if it is due to the malfunctioning of our products.

Unauthorized modifications and/or repairs of our products will automatically invalidate the warranty.

# SPECIFICATIONS

## Construction

Housing body	Hard Anodized Aluminium Alloy
Display window	Abrasion Resistant Polycarbonate

## Dimensions

Width	340 mm
Height	169 mm
Depth	125 mm

## Weight

In air	2.70 kg
In water	0.60 kg (w/ camera & battery)

## Depth

Rating	100 m
--------	-------

## Port specifications

Port mount	N 100 Port System
Port accessories	1 x M24, 1 x M14

## N100 to N120 Adaptor

37305 N100 to N120 35.5mm Port Adaptor II

## HDMI connectivity accessories ( 2.0 )

25086 M24 adaptor for HDMI 2.0 cable (incl. tightening tool)
25099 M24A2R200-M28A1R170 HDMI 2.0 Cable

## Monitor options

17922/S Nauticam Atomos Ninja V/V-S Housing for Atomos Ninja V 5" (excl. HDMI 2.0 cable)
------------------------------------------------------------------------------------------

## HDMI connectivity accessories ( 1.4 )

25033 Standard HDMI bulkhead with M16 thread
25081 M24-M16 Step Down Adaptor
25100 HDMI (D-A) cable in 190mm length (for connection from HDMI bulkhead to camera)

## Monitor options

17906/17920 NA-502H/B-H housing for Small HD 502 5-inch HD/Bright monitor
17923 NA-Shinobi-H Housing for Atomos Shinobi 5.2" 4K HDMI Monitor

## Recommended accessories

25624 M14 Vacuum Valve II (pushbutton release)
32201 180° straight viewfinder
32203 45° viewfinder
26302 Mini Flash Trigger for Sony
17430UK Conversion Kit to Convert NA-a1 for use with Sony A7SIII Camera

## Wet Lens Compatibility

Macro	81201	Super macro convertor 1 (SMC-1, 2.3x magnification)
	81202	Super macro convertor 2 (SMC-2, 4.0x magnification)
Macro to Wideangle	86201	Macro to Wideangle Lens 1 (MWL-1, 150 deg. FOV with full frame 60mm macro lens)
	87303	EMWL Set#3 (incl. focusing unit #3, 150mm relay lens & 3 objective lenses)
Wideangle	85201	0.36x Wide Angle Conversion Port with Aluminium Float Collar (incl. N120 to N100 port adaptor)
	85204	0.57x Wide Angle Conversion Port 2 with Aluminium Float Collar (compatible with 14mm lenses)

## Optional accessories to use with wet lens

86222 Double Flip Holder for MWL-1
87501 Flip Holder for EMWL
87516 EMWL Bayonet Holder for Ø70 Float Arm
87517 EMWL Bayonet Holder for Ø90 Float Arm
87518 Strobe Mounting Brackets for EMWL Relay Lens

**Nauticam Internationl Ltd.**

Rm 2203, CCT Telecom Bldg,  
11 Wo Shing St,  
Fo Tan,  
Hong Kong

Tel. +852 - 26902711  
Fax. +852 - 26909778  
URL. [www.nauticam.com](http://www.nauticam.com)  
Gallery. [www.nauticam.smugmug.com](http://www.nauticam.smugmug.com)