

16264 Housing Skids for NA-E2F

Instruction Manual

FOREWORD

Thank you for your purchase of a NAUTICAM product.

At NAUTICAM, we pride ourselves in the ability to recognize the requirements of professional as well as amateur underwater photographers and fulfill them through the innovative designs of our products. We strive to achieve a high level of user-friendliness by allowing stress-free installation and easy operation of all important functions of the camera.

Please read this manual carefully before using the product, this will maximize its performance as well as its lifetime.

WARRANTY

All NAUTICAM Products are warranted against any material and manufacturing defects for two years from the date of purchase for consumer use. This warranty only applies to products purchased from authorized NAUTICAM dealers and does not extend beyond the original retail purchaser.

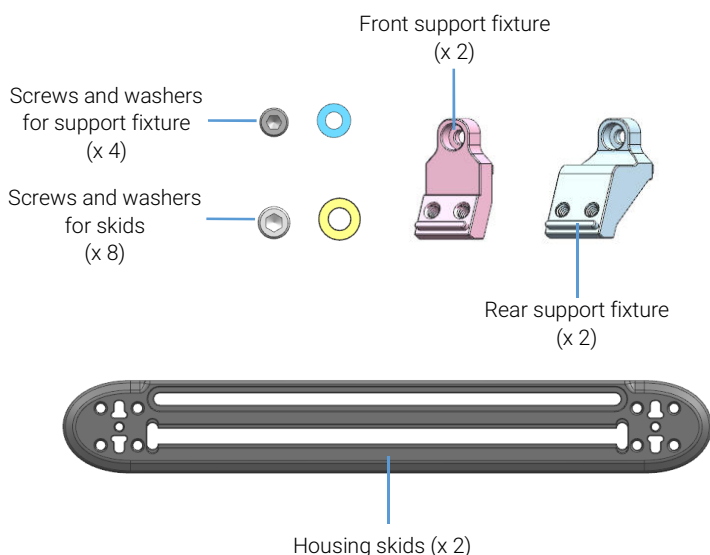
To return your product for service, please contact your regional authorized service center(s). Please note that this warranty only applies when the product is purchased in the territory where the service center is located.

NAUTICAM does not hold responsibility for damage, of any nature, to any equipment used with and/or placed within our products.

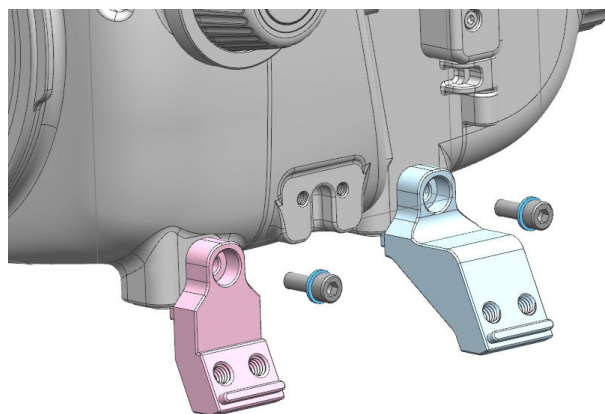
NAUTICAM accepts no liability for any loss of captured images or the inability to capture images even if it is due to the malfunctioning of our products.

Unauthorized modifications and/or repairs of our products will automatically invalidate the warranty.

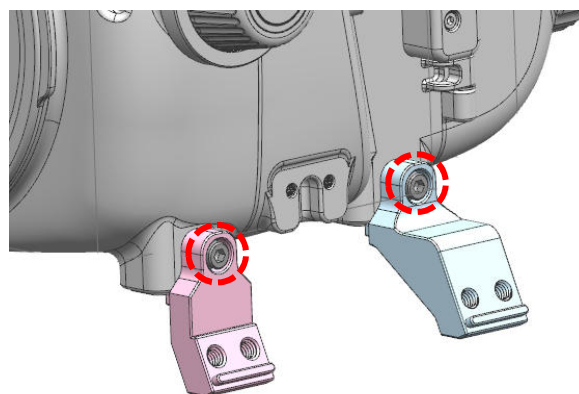
IDENTIFICATION OF PARTS



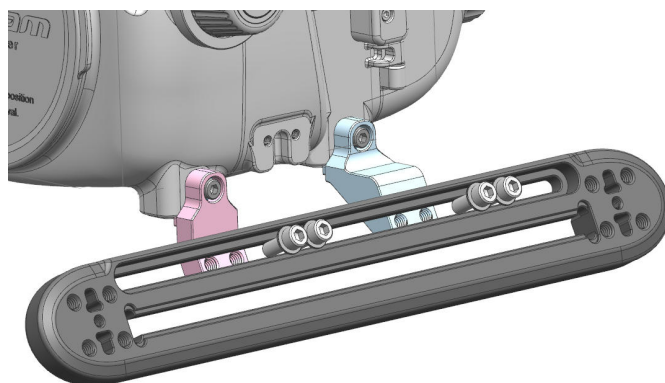
MOUNTING THE SKIDS ON A HOUSING



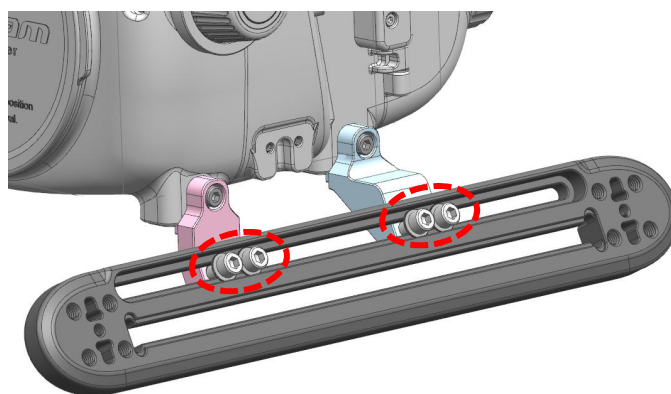
1. Mount the support fixtures on the housing as shown above.



2. Fasten them by screws provided.

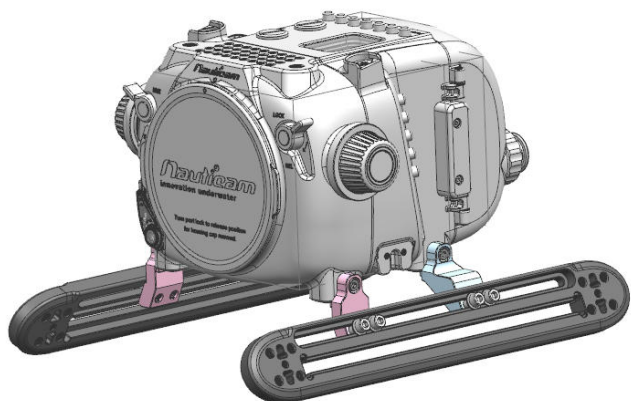


3. Attach a housing skid on the support fixtures as shown above.



4. Secure it with screws provided.

To adjust the position of the skid, slightly loose the four screws. Then, move the skid to the desired position and secure by tightening the four screws.



5. Repeat the above steps for the other side.

SPECIFICATIONS

16264 HOUSING SKIDS FOR NA-E2F	
Dimensions(mm):	350.8×50.0×15.0
Type:	Zoom gear
Compatible housing:	16505 NA-E2F CINEMA HOUSING FOR Z CAM E2-M4/S6/F6/F8 CINEMA CAMERA

Remark: Nauticam supports only e-manuals. Please download corresponding product manuals on Nauticam.com website, or contact us for e-manuals.