

Instruction Manual for Mounting Bracket for Monitor Housing to use with Cinema Housings PN# 16226

FOREWORD

Thank you for your purchase of a NAUTICAM product.

At NAUTICAM, we pride ourselves in the ability to recognize the requirements of professional as well as amateur underwater photographers and fulfill them through the innovative designs of our products. We strive to achieve a high level of user-friendliness by allowing stress-free installation and easy operation of all-important functions of the camera.

Please read this manual carefully before using the product, this will maximize its performance as well as its lifetime.

WARRANTY

All NAUTICAM Products are warranted against any material and manufacturing defects for two years from the date of purchase for consumer use. This warranty only applies to products purchased from authorised NAUTICAM dealers and does not extend beyond the original retail purchaser.

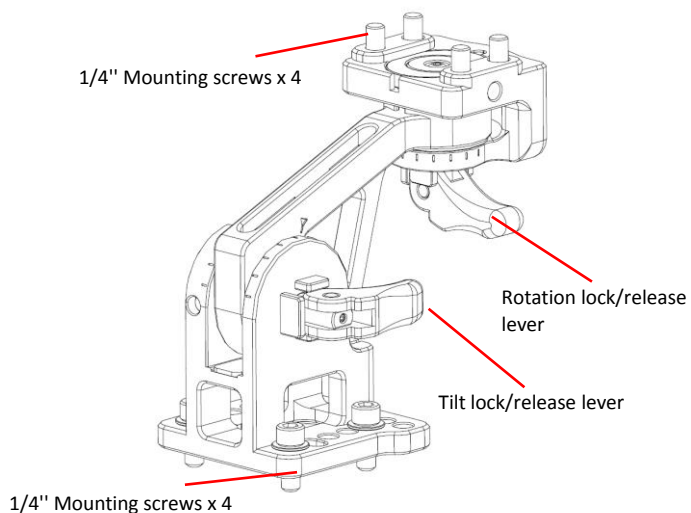
To return your product for service, please contact your regional authorized service centre(s). Please note that this warranty only applies when the product is purchased in the territory where the service centre is located.

NAUTICAM does not hold responsibility for damage, of any nature, to any equipment used with and/or placed within our products.

NAUTICAM accepts no liability for any loss of captured images or the inability to capture images even if it is due to the malfunctioning of our products.

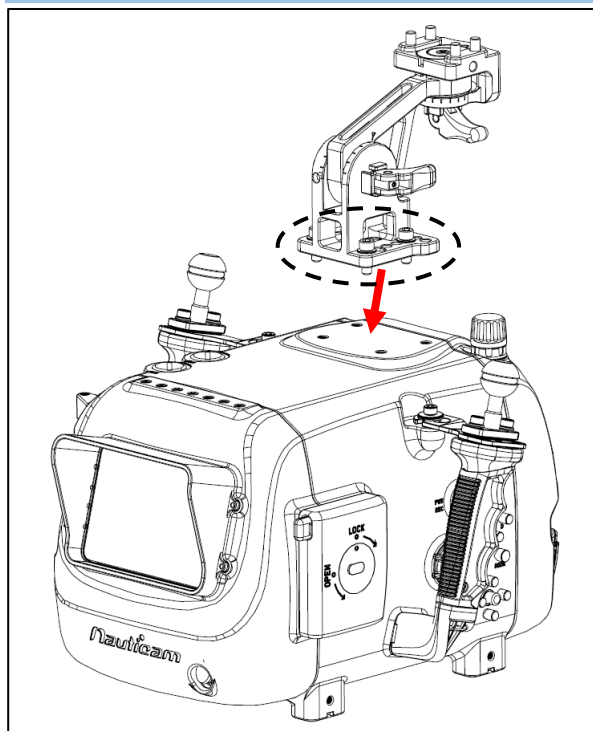
Unauthorised modifications and/or repairs of our products will automatically invalidate the warranty.

IDENTIFICATION OF PARTS

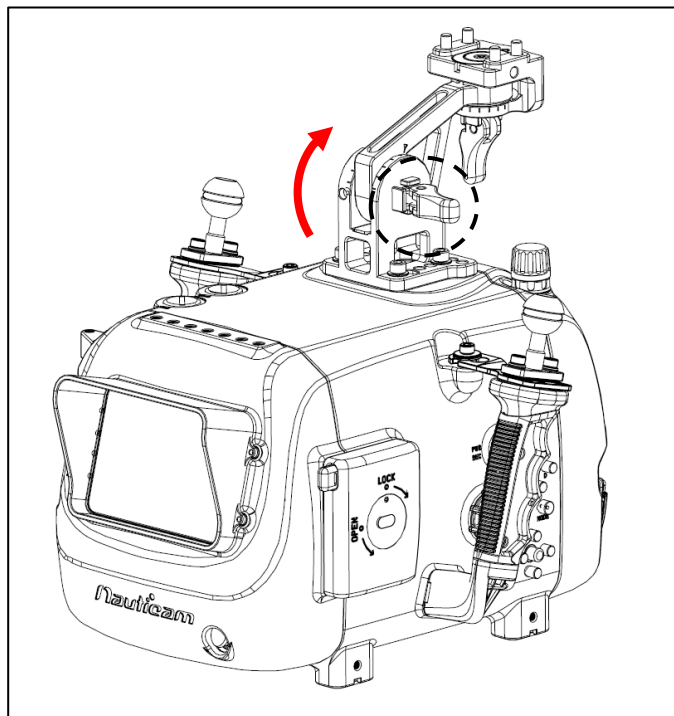


*The red o-ring comes with each screw on the mounting bracket are for retaining the screws in place. Please remove them before installing the bracket with housings.

INSTALL ON CINEMA HOUSINGS

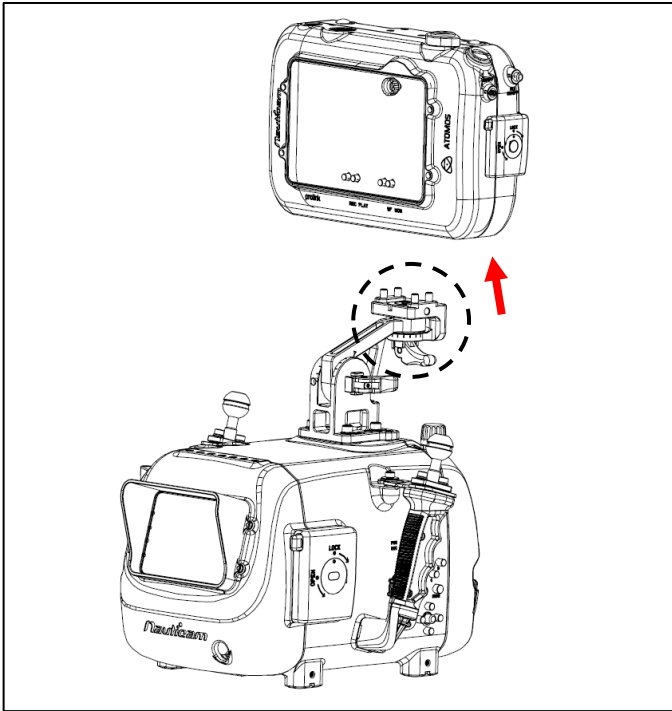


Align the screws on the bottom bracket with cinema housing mounting holes. And fasten it by tight the 4 screws.

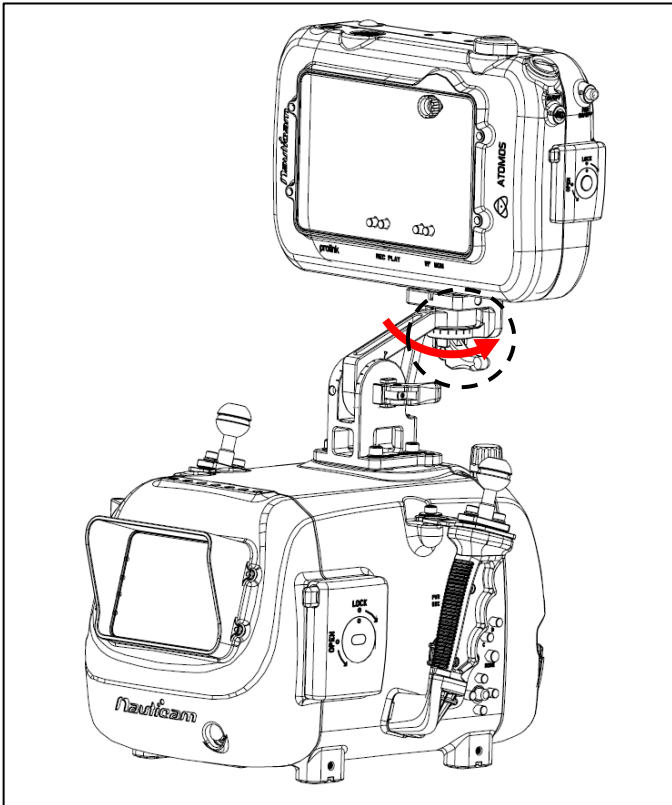


Lift the tilt lock lever to allow the bracket moving up and down. Lock it in position by pressing it down with a click sound.

INSTALL ON MONITOR HOUSINGS



Align the screws on the up bracket with monitor housing mounting holes. And fasten it by tight the 4 screws.



Lift the Rotation lock/release lever to allow the monitor housing moving left and right. Lock it in position by pressing it down with a click sound.

COMPATIBILITY

Compatible Cinema Housing List:	<ul style="list-style-type: none"> • 16108 NA-Epic LT • 16109 NA-Weapon LT • 16113 NA-C200 • 16114 NA- EVA1 • 16115 NA-VEO-4K • 16117 NA-C500II (from A521407 onwards) • 16504/5 NA-E2/E2F/ • 16116 NA-KOMODO • 16120 Nauticam V-Raptor
Compatible Monitor Housing List	<ul style="list-style-type: none"> • 17904 Nauticam Atomos Shogun Housing for Atomos Shogun and Assassin • 17905 Nauticam Atomos Shogun • 17909 Nauticam Atomos Flame Housing (with HDMI 1.4 input) • 17910 Nauticam Atomos Flame Housing (with SDI input) • 16110 NA-RT7 Housing • 17922 NA-Atomos-H (from A502605 onwards) • 17922S NA-Atomos-S (from A495673 onwards) 17925/17925S NA-503H/S