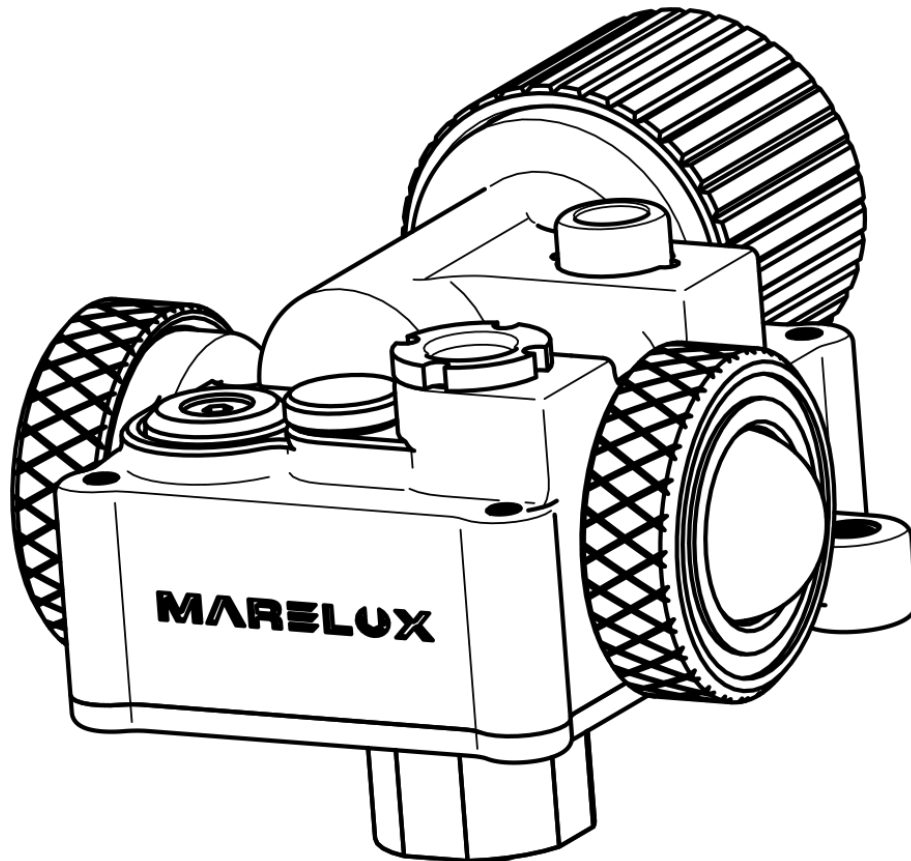


MARELUX

Lumilink



User Manual

Please read this user manual carefully before starting to use the product, and use the product properly based on the thorough understanding of this user manual.

<https://www.marelux.co/>

Product Features

Material: Anodized Aluminum Alloy

Dimensions: 82mm (W) x 70mm (H) x 64mm (D)

Weight in Air: 180g

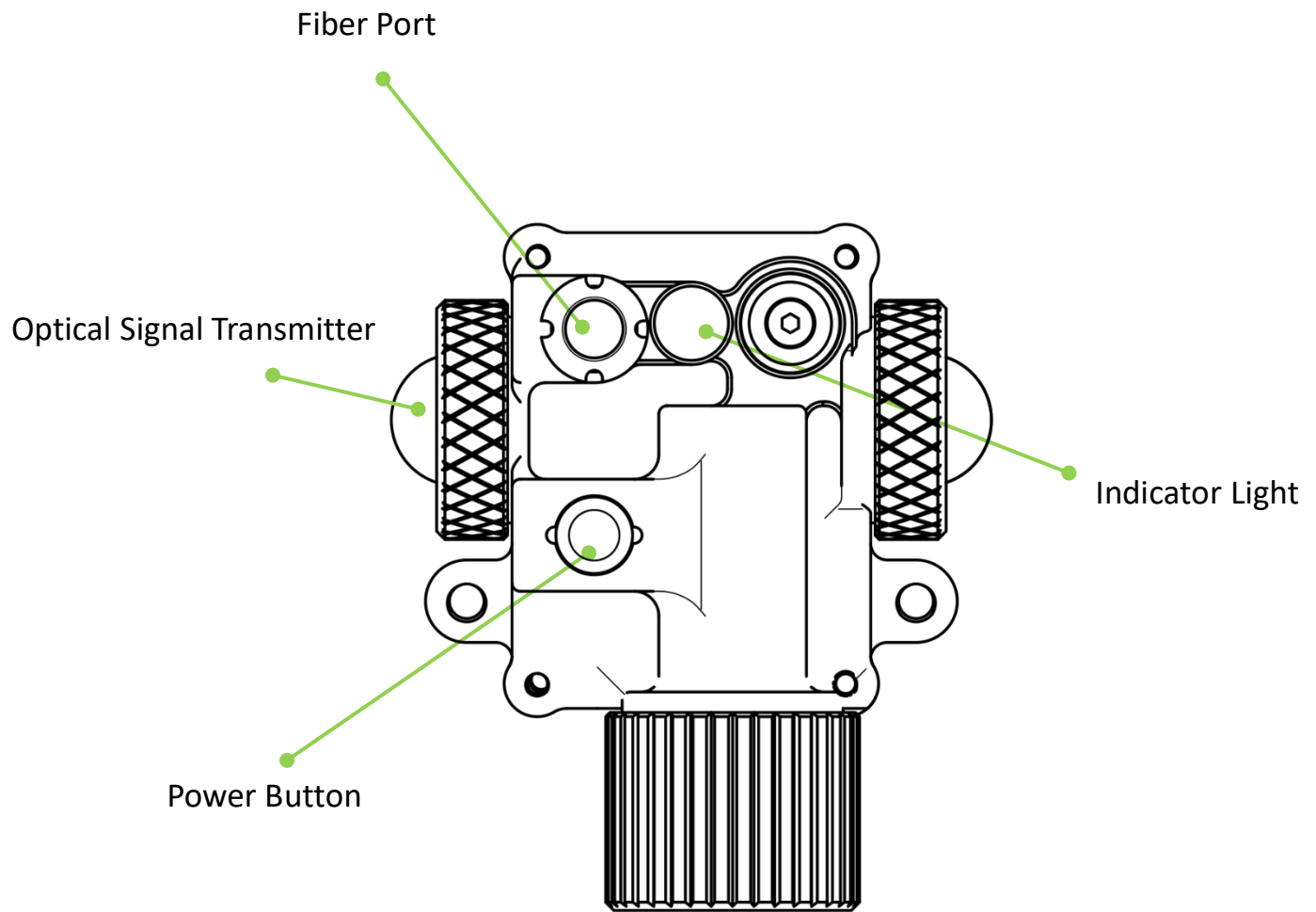
Depth Rating: 100m

Battery: 1x10440 lithium battery

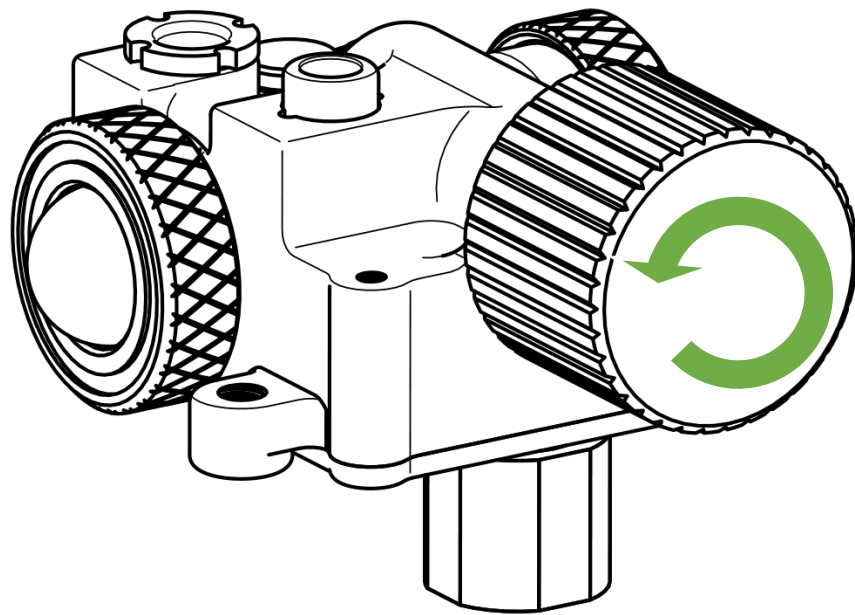
Installed on the camera housing's fiber optic port, Lumilink amplifies and encrypts the signal received from the camera housing's internal optical flash trigger, and then forwards it through optical signals.

Lumilink is capable of extending the range of optical signal transmission, with an effective transmission distance of 2 meters (underwater) and an optical signal emission angle of 160 degrees.

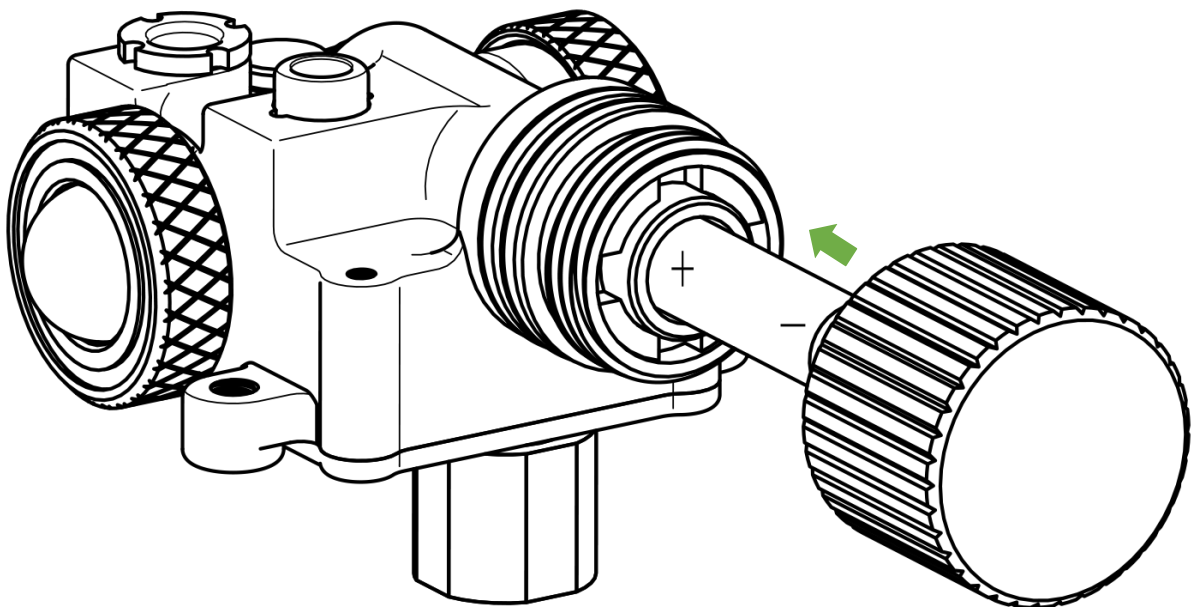
Parts Illustration



Battery Installation

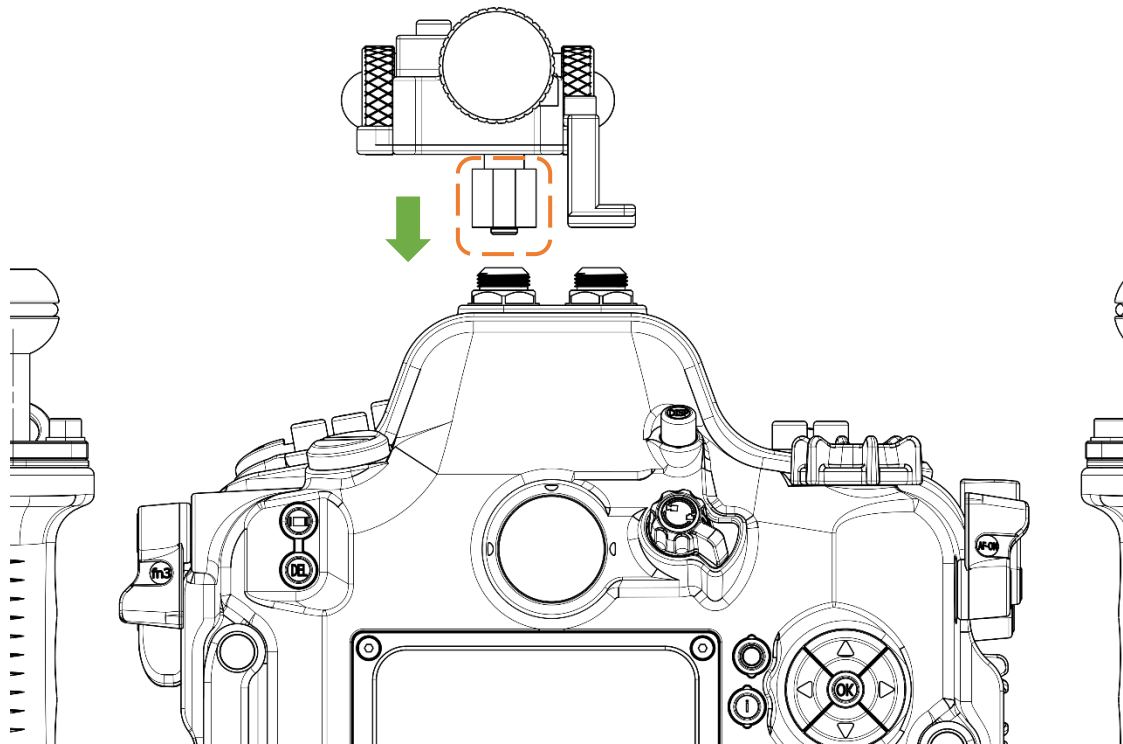


Rotate counter clockwise to remove the battery cap.

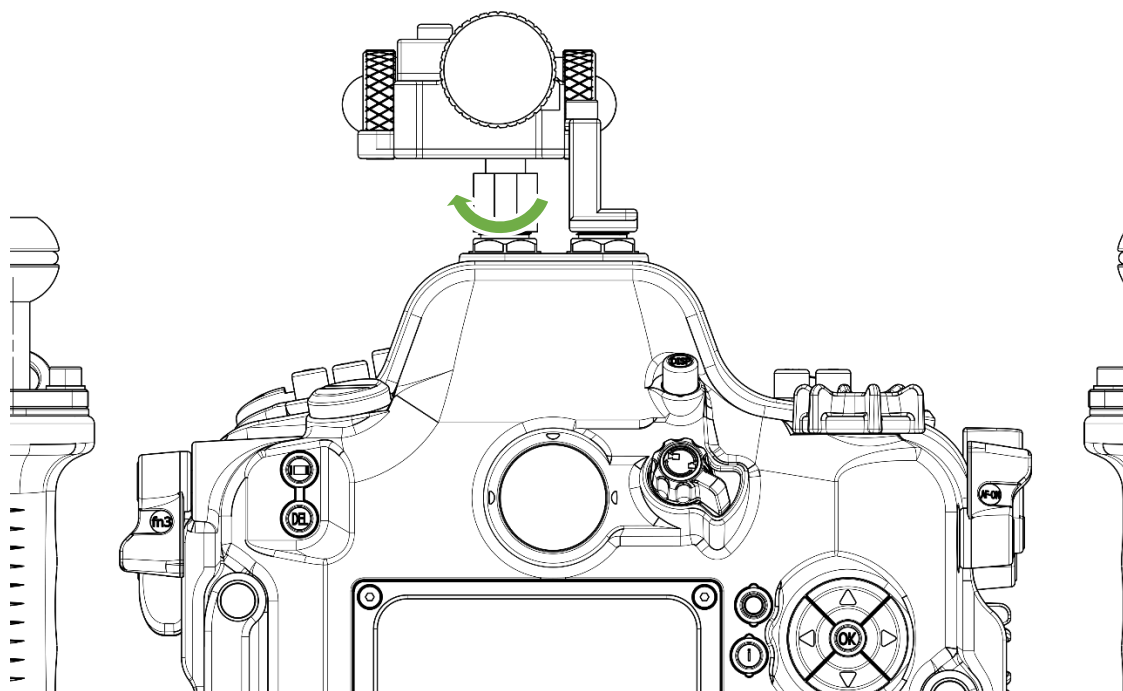


After inserting the battery as shown, rotate clockwise to tighten the battery cap.

Lumilink Installation onto Housing

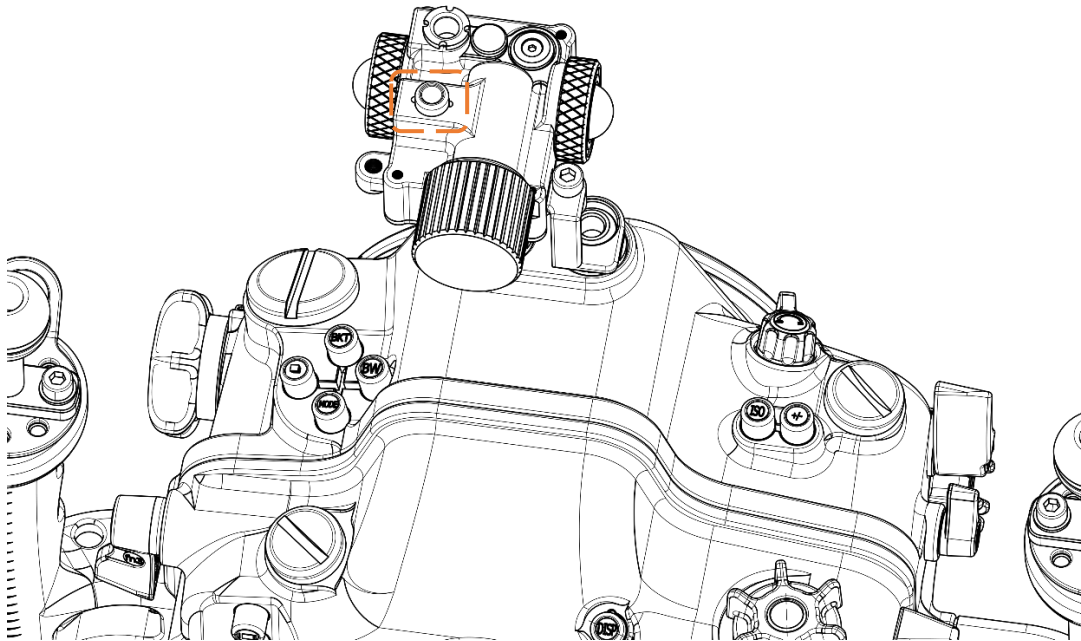


Insert the Lumilink into the camera housing's fiber port.

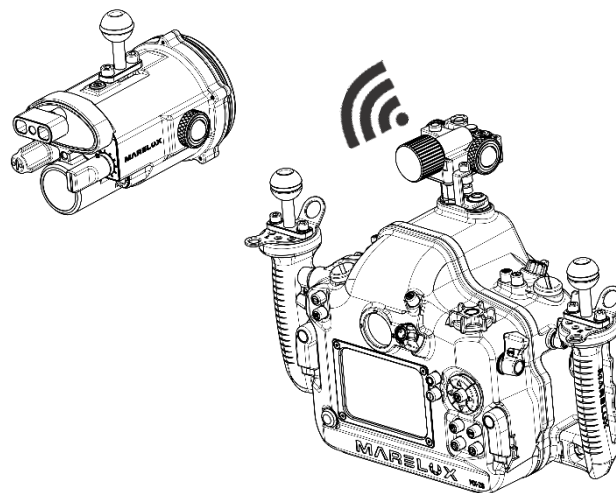


Rotate the bolt clockwise to tighten and secure it.

Operation



Press and hold the power button for 2 seconds to turn on the Lumilink. The indicator light will stay on continuously. When the shutter button is pressed, it will trigger the Lumilink to emit a blue light signal, triggering the Apollo strobe. There is also a separate fiber optic port on the top, which does not occupy the original fiber optic port of the camera housing.



Maintenance and Storage

1. After diving, make sure the Lumilink is locked and sealed, wash the Lumilink body with fresh water.
2. When immersed with fresh water, push each button few times, thus can help to let salt and sand out.
3. Use a soft cloth to wipe and clean the glass on the dome.
4. After each dive, clean the O-rings and check if there are damages on the O-rings.
5. Use sturdy and shock-proof case to carry the Lumilink and its accessories.
6. Don't leave the Lumilink for too long inside vehicle under exposure to sunlight or heat.
7. Please stop charging the battery when it is full to prevent overcharging and damage to the battery.
8. If don't use the Lumilink for long period, remove the batteries.
9. This product is prohibited for use or play by children under 10 years old.

Warranty

1. Marelux provides 2 years warranty for its housing body, cable (such as fiber cable and HDMI cable), and 1 year warranty for electronic parts and components made of silicon, rubber and plastic.
2. Marelux will keep components and parts for repair and maintenance in storage for 5 years after EOL of each model. Beyond this period, Marelux may not be able to provide repair service for those products.
3. Repair caused by following reasons will still be charged by marelux even during the 2 years warranty.
 - Damage from misuse, incorrect maintenance or storage not complying with the specifications and notices in this users' manual;
 - Damage from falling or inappropriate placement of the product;
 - Damage caused by repair, maintenance, dismantlement, modification or cleaning by any unauthorized vendor or service center by Marelux;
 - Product without authentic Marelux serial number, or with erased, distorted or falsified serial number;
 - Damage caused by usage of non Marelux recommended accessories, parts, components from other makers or suppliers, such as Flash Trigger, Cable, Dome Port, Extension Ring, Convertor and etc;
 - Damage caused by misuse or mistreatment by human, or by natural disaster or other situations of force majeure;
 - Malfunction or damage caused by erosion due to not cleaning the housing or accessories.
4. Batteries, lubricants and other consumable supplies are not in warranty.
5. All parts and components replaced from the housing and its accessories in the warranty service should belong to Marelux.
6. Marelux is not responsible for and will not compensate any collateral damages or financial losses caused by using Marelux products, such as income or fees related to the users of Marelux products.

- Warranty is only provided to products sold inside the service territory of the distributor or reseller.
- Products purchased and used for rental business are not included in warranty.
- Products will lose warranty immediately after unauthorized repair or modification.
- The warranty terms above are made for Marelux customers to conduct free warranty service and repair and have no restriction to any legal rights that customers shall possess.

CE FC RoHS

Made in China