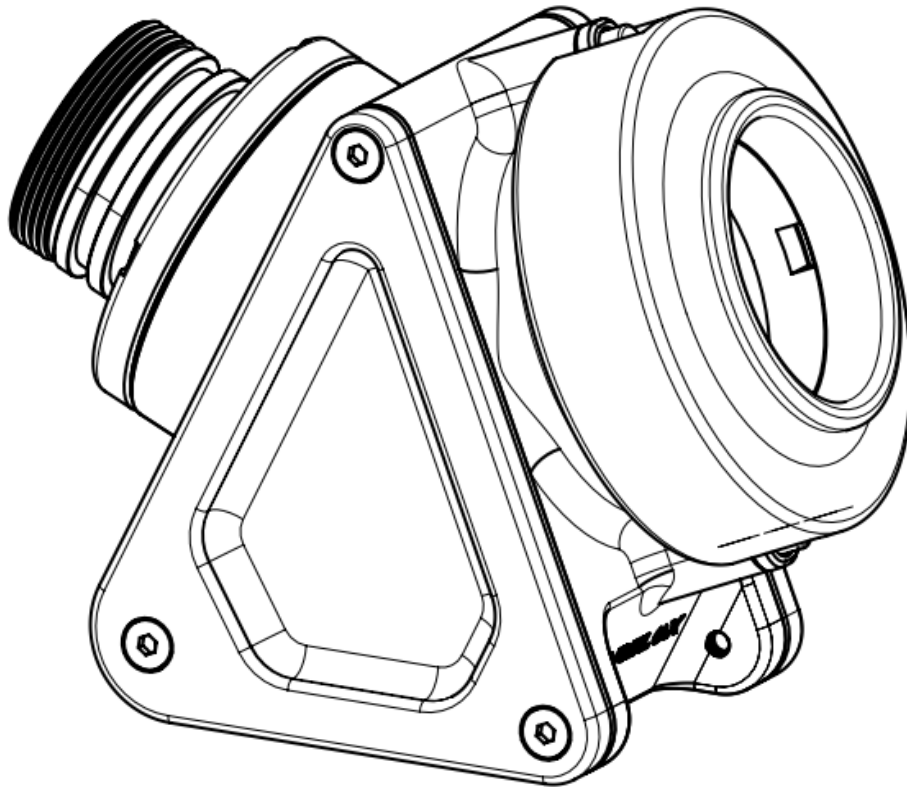


MARELUX

45 Degree Viewfinder

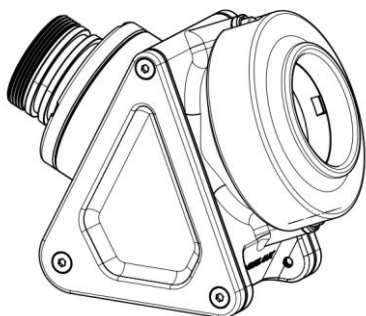


User Manual

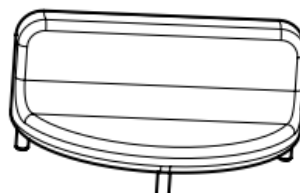
Please read this user manual carefully before starting to use the product, and use the product properly based on the thorough understanding of this user manual.

<https://www.marelux.co/>

Package Contents



45 Degree Viewfinder



Remover Tool



Diopter Adjustment Tool

Product Specification:

Material: Optical Glass, Anodized Aluminum Alloy

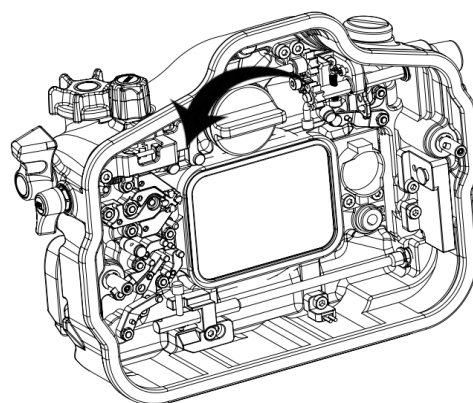
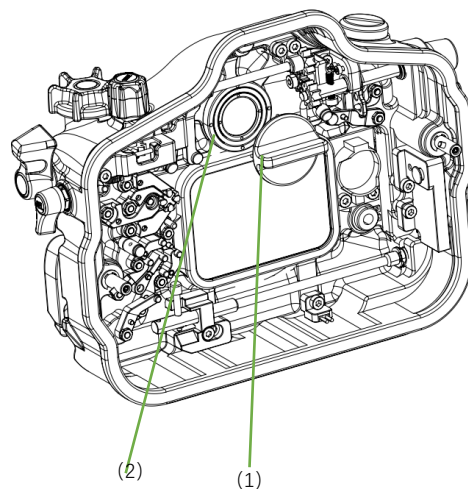
Weight: 368g

Depth Rating: 100m

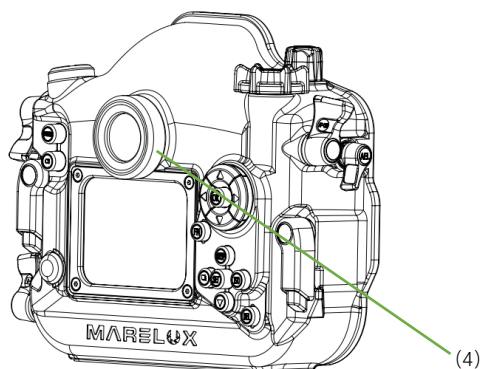
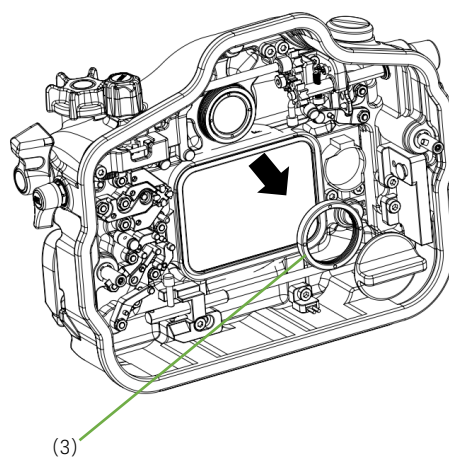
Magnification: 1X (Underwater)

Installation

Align the **Remover Tool** (1) with the ring of the **Optical Viewfinder 0.66x** (2) on the housing, then insert it.

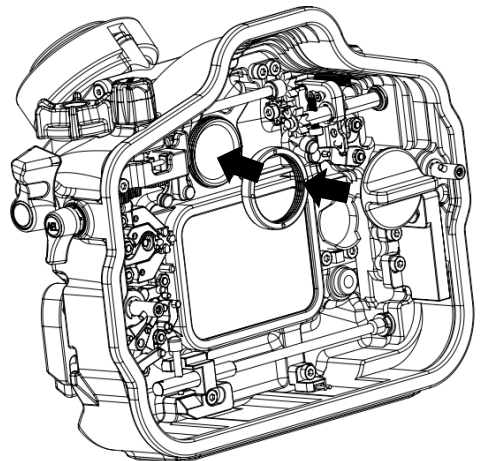
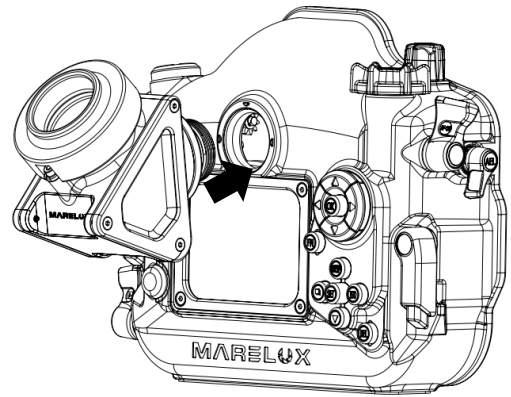


Then rotate the Remover Tool counterclockwise to remove the ring (3) and the Optical Viewfinder 0.66x (4).

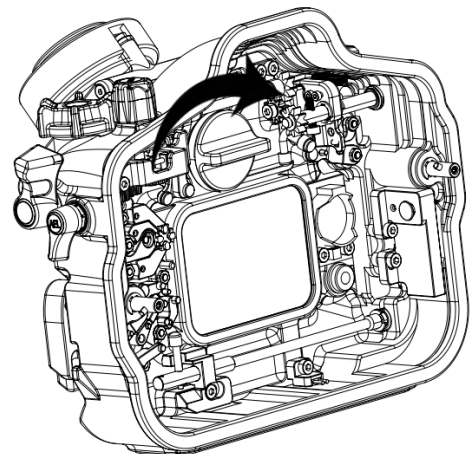


Installation

Insert the 45 Degree Viewfinder into the housing.

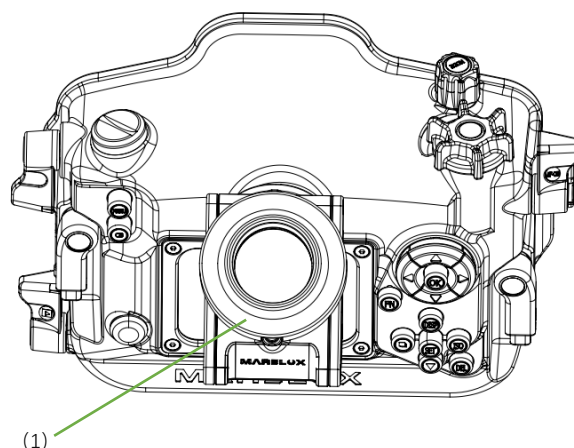


Then use the remover tool to tighten the ring clockwise.



Dioptr Adjustment

Remove the eyepiece hood first.



Align the diopter adjustment tool (2) with the slot of the 45 degree viewfinder (3). Rotate counterclockwise to increase diopter and clockwise to decrease diopter.

