



DL Compact 8" Dome Port

Product Number 75344

Product Registration

Please register your product at ikelite.com within 15 days of purchase. Our product registration database is the best way for us to get a hold of you in the event of a product update or recall.

About this Product

Thank you for your purchase of Ikelite equipment. Please read this instruction manual completely before attempting to operate or dive with this product. Please visit ikelite.com to register your product to receive information on any updates, notices, or recalls pertaining to your equipment.

Included in the Box

- Dome port
- Dome shade # 095346
- Neoprene cover # 0200.1
- Securing thumbscrews (3) # 9249.7
- 7/64" hex key # 0945.17
- Silicone lubricant # 0184.2

Specifications

- Optical grade acrylic dome
- Acetyl body
- Weight 8.1oz (230g)
- 6.0" diameter x 2.0" (152 x 51mm)

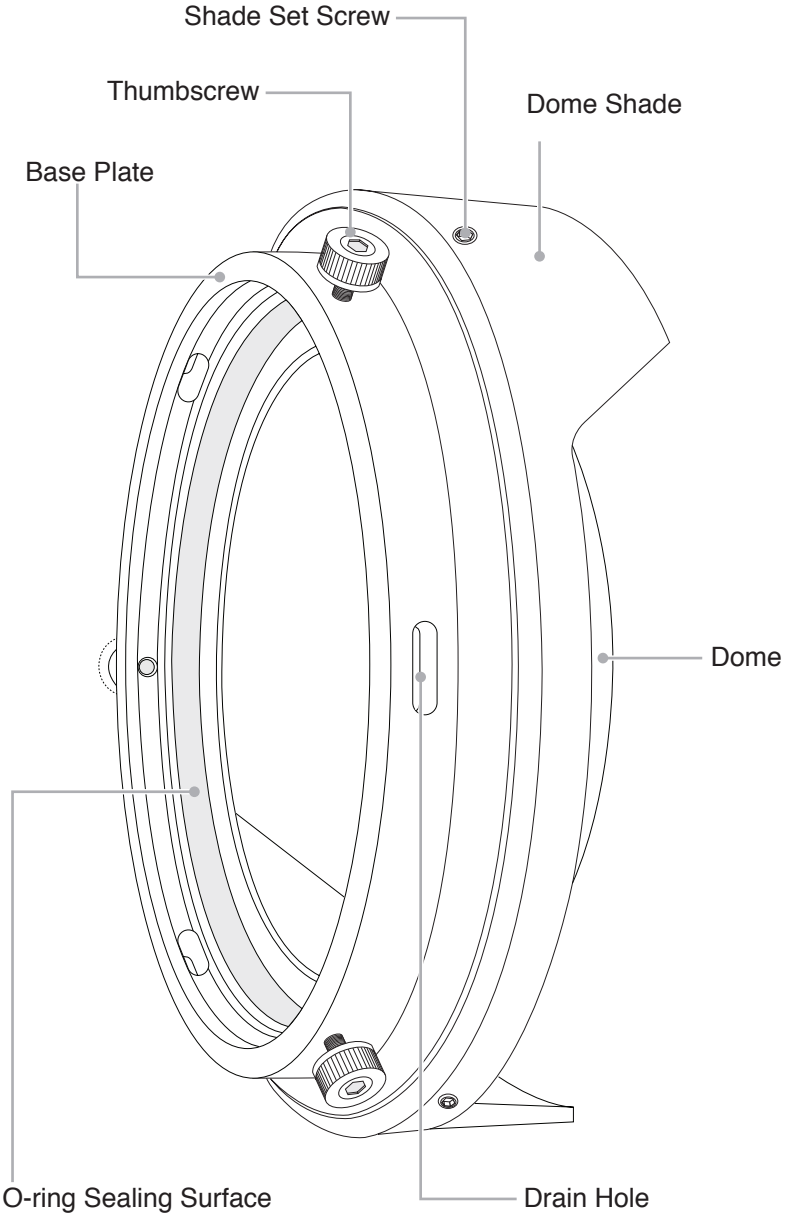
Important Notices

- » **Do not use alcohol, cleaning agents, spray lubricants, Rain-X, or other solvents on the housing or lens port. Use of an incompatible chemical compound can damage the plastic or component o-rings, which may result in leaking.**
- » **We recommend detaching the port from the housing and extension during long periods of storage. Attach the included neoprene covers to protect the dome from dust and impact.**

Contents

Product Registration	1
About this Product	2
Included in the Box	2
Specifications	2
Important Notices	3
Getting to Know Your Dome Port	5
Attaching Your Dome Port	6
Attaching the Port to a Housing	6
Attaching the Port to an Extension.....	7
Final Check.....	8
Maintenance	9
Post-Dive.....	9
Travel and Storage.....	9
Scratches.....	9
Spare Parts	10
Limited Warranty	11
Service and Repairs	11
Contact Us	12

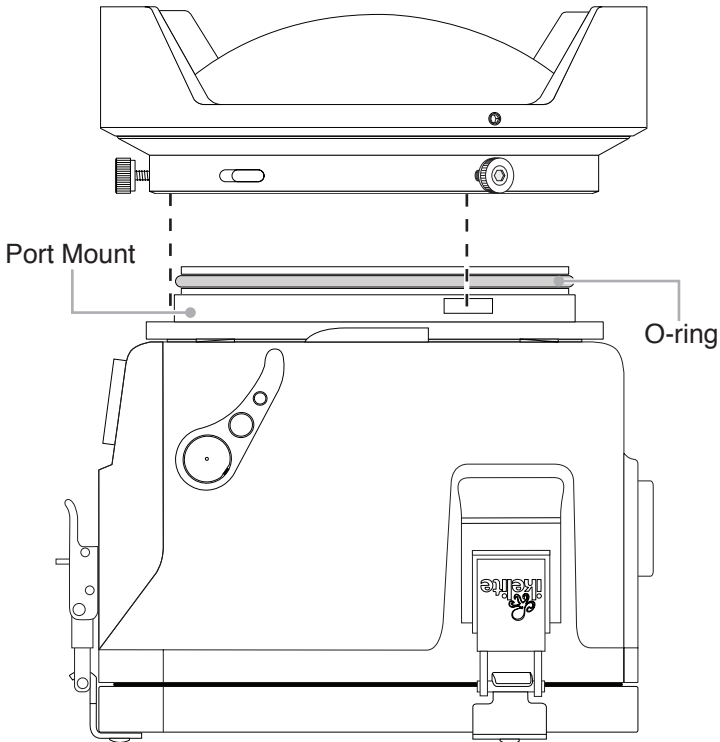
Getting to Know Your Dome Port



Attaching Your Dome Port

Attaching the Port to a Housing

1. Using your fingers or a hex key, loosen each thumbscrew until at least 5 threads are visible.
2. Make sure the dome port O-ring Sealing Surface is clean and free of debris.
3. Clean and lightly lubricate the O-ring. The o-ring needs to be lubricated evenly until it is slightly shiny. Use Ikelite lubricant ONLY. Other lubricants can cause the o-ring to swell and not seal properly. Avoid dry spots or uneven build-up of lubricant.
4. One of the three thumbscrews is positioned in the middle of a larger projection on the dome shade. Align this thumbscrew with the top center of the housing's port mount.

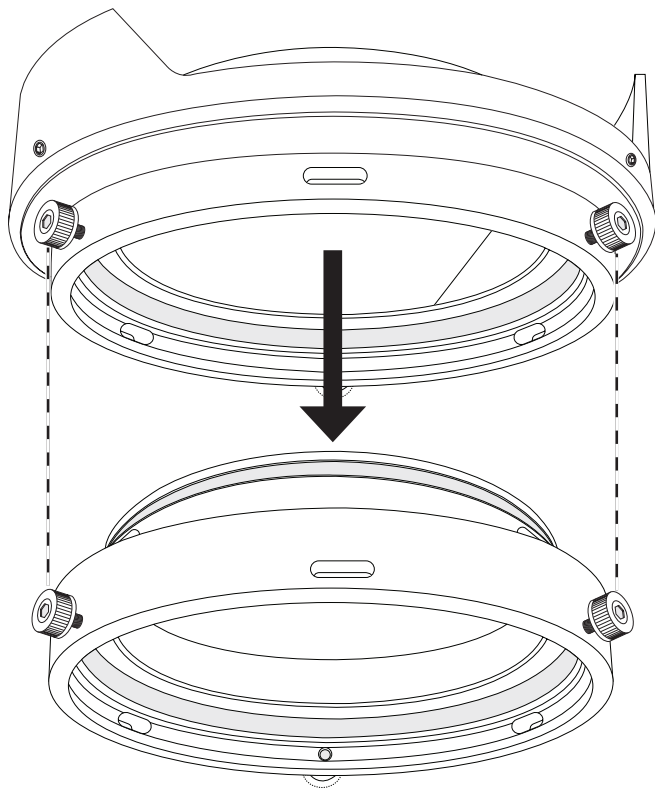


5. Press the port firmly down until the base of the port is flush with the Port Mount on the housing. If there is resistance, remove the port and check that the thumbscrews are loosened and the o-ring is properly lubricated.
6. When the dome port is flush, tighten each thumbscrew until it stops. DO NOT over-tighten.

Attaching the Port to an Extension

1. Using your fingers or a hex key, loosen each thumbscrew until at least 5 threads are visible.
2. Make sure the dome port O-ring Sealing Surface is clean and free of debris.
3. Clean and lightly lubricate the O-ring. The o-ring needs to be lubricated evenly until it is slightly shiny. Use Ikelite lubricant ONLY. Other lubricants can cause the o-ring to swell and not seal properly. Avoid dry spots or uneven build-up of lubricant.

4. Line up the thumbscrews on the dome port and extension. Firmly press components together until they are flush around the circumference.



5. Tighten each thumbscrew until it stops. DO NOT over-tighten.
6. Attach the complete dome port with extension to your housing.

Final Check

1. Submerge the housing with port attached in a fresh water tank dedicated to underwater photography equipment.
2. Visually confirm that there are no signs of water intrusion. One sign of water intrusion is a steady stream of bubbles coming from one of the housing's seals.

Maintenance

Post-Dive

1. Rinse the housing with dome port installed in fresh water.
2. NEVER leave your housing in the fresh water rinse tank. Collisions with other peoples' gear can cause scratches or damage to your equipment.
3. Dry the dome with a clean micro fiber lens cleaning cloth.
4. Attach the protective neoprene cover.
5. Stow the housing in a shaded place where it is protected from impact or overheating. If no shade is available, we recommend covering the housing with a towel or cloth.

Travel and Storage

1. Clean and dry the exterior of the dome port. DO NOT use any type of glass or surface cleaner on the dome port.
2. Attach the protective front and rear neoprene covers. The neoprene rear cover prevents dust from getting inside of the dome and is perfect for storing your hex key, spare o-rings and thumbscrews, instructions, and other small parts.
3. Store in a cool, dry place.

Scratches

Often scratches will fill in with water and become invisible in the resulting image. Scratches are most likely to show up in your image when shooting towards the sun or a light source.

Light scratches may be buffed out using NOVUS plastic polish, available in single-use packets or bottles.

If the scratches are too deep to polish out, the dome port will need to be returned to Ikelite for replacement of the acrylic dome.

Spare Parts

- O-ring # 0139.41
- Securing thumbscrews (set of 3) # 9249.7
- 7/64" hex key # 0945.17
- Silicone lubricant # 0184.2
- NOVUS polish single use set # 6201.31
- NOVUS polish 2 oz bottle set # 6201.32

Limited Warranty

This Ikelite product is warranted against any manufacturing defects for a period of one (1) year from the original date of purchase. Defective products should be returned to Ikelite postage paid. Ikelite will, at its sole discretion, repair or replace such products, and will return to customer postage paid. All other claims of any nature are not covered. Except as mentioned above, no other warranty expressed or implied applies to this Ikelite product.

Service and Repairs

Ikelite is most interested in performing any service to ensure that all products perform as intended. Evidence of purchase date must be provided to obtain warranty service.

No prior authorization is required. You may return directly to us or through your dealer. Please include a brief description of the problem, any relevant email correspondence, and/or description of the service request. Always include name, shipping address, email address, and phone number inside of the package. Send postage paid to:

Ikelite Underwater Systems
Attn: Service Department
50 West 33rd Street
Indianapolis, IN 46208 USA

For the separate international customs documentation form that you complete to accompany the shipment, please state or designate that the enclosed products were originally manufactured in the USA and are being returned to the manufacturer for repair service. Value of the equipment listed for customs purposes should be zero.

Contact Us

If you have any questions about your product or need advice on getting the images you want, please get in touch with us and we'll do everything we can to help you capture your unique perspective.

Ikelite Underwater Systems
50 W. 33rd St.
Indianapolis, IN 46208 USA
(317) 923-4523
ikelite@ikelite.com