



## Shutter Trigger Extension v2

Item number 4077.95

### Included in the Box

- Trigger extension
- Hex key

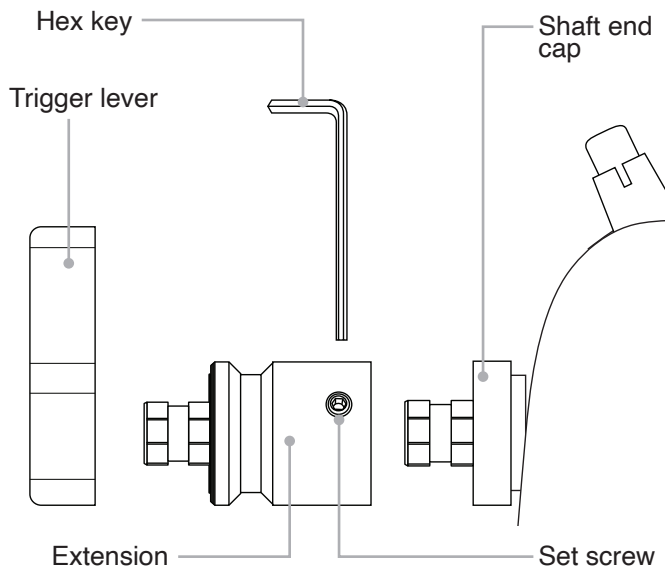
### Important Notices

- » **Set screws may loosen with time and use. It is recommended to periodically remove the extension and check the tightness of the set screw in the shaft end cap.**

## Installation and Use

### Removing the Trigger Lever

1. Note the orientation of the trigger lever.
2. Use the included hex key to loosen the set screw holding the trigger lever in place. Be careful not to lose the set screw.
3. Pull gently on the curved trigger lever to remove it from the shaft end cap.



### Installing the Extension

1. Check the tightness of the set screw in the shaft end cap. Do not overtighten.
  2. Check that the set screw in the extension does not protrude into the center of the extension piece. If it is protruding, use the hex key to loosen it slightly.
  3. Slide the extension over the shaft end cap and press until it is flush with the shaft end cap. Orientation of the extension on the shaft end cap does not matter.
  4. Tighten the set screw in the extension until snug. Do not overtighten.
  5. Slide the trigger lever over the extension in the desired orientation.
  6. Tighten the set screw in the trigger lever until snug. Do not overtighten.
  7. Check operation of the control.
- » **Retain the hex key to periodically remove the extension and tighten the set screw in the shaft end cap.**

### Limited Warranty

This Ikelite product is warranted against any manufacturing defects for a period of one (1) year from the original date of purchase. To obtain warranty service, the product must be returned to Ikelite postage paid. Ikelite will, at its sole discretion, repair or replace such products, and will return to customer postage paid. All other claims of any nature are not covered. Except as mentioned above, no other warranty expressed or implied applies to this Ikelite product.

### Contact Us

Ikelite Underwater Systems  
50 W 33rd St  
Indianapolis, IN 46208 USA  
(317) 923-4523  
ikelite@ikelite.com