



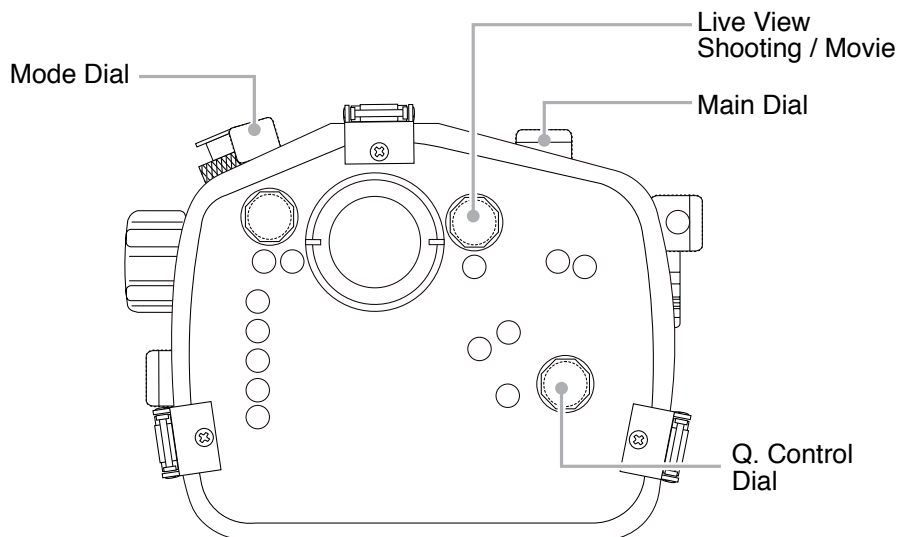
## Compatibility Notice

This housing is pre-configured for operation with the Canon EOS 5D Mark IV camera. If you are using one of the following cameras you will need to make adjustments to four controls prior to use:

- Canon EOS 5D Mark III
- Canon EOS 5DS
- Canon EOS 5DS R

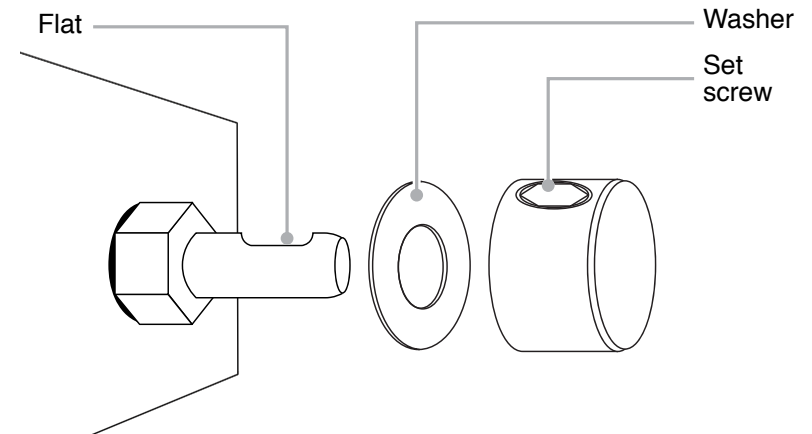
## Controls Requiring Adjustment

- Mode Dial
- Live View Shooting / Movie
- Main Dial
- Q. Control Dial



## Adjusting Your Controls

1. Each knob is attached by a set screw threaded into the side of the knob. Remove the knob using the included 1/8" hex key. Do not remove the control shaft from the housing.
2. Remove one nylon washer from the control shaft.
3. Align the knob set screw with the flat on the side of the control shaft.
4. Re-attach the knob using an 1/8" hex key.



5. Repeat for all four controls requiring adjustment.
6. Install your camera and check all controls.
7. Store the extra washers in a sealed plastic bag with your spare parts.

## Re-Adjusting for the Canon EOS 5D Mark IV

This procedure is reversible.

If you choose to use the Canon EOS 5D Mark IV in the future, re-install the one washer underneath each of the four control knobs.

If you have any questions about this procedure please contact us by email at [ikelite@ikelite.com](mailto:ikelite@ikelite.com).