

F.I.T.

F.I.T. PRO LED2400UV Underwater Dive Light

Instruction Manual

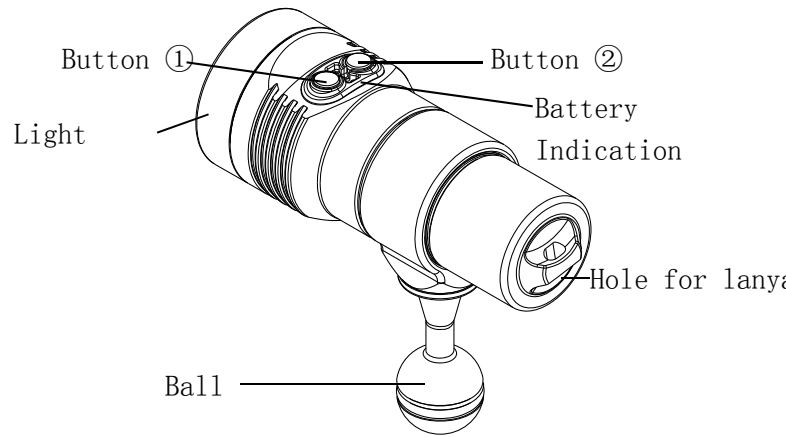
Please read carefully before use.

Size	Φ50x124.8mm
Weight	220g(underwater with battery)
Functions	Red Light, White Disperse, White Spot, Battery indication, Low battery indication, Low battery protection, Temperature protection
Special Function	Battery Wrong Insertion Protection (Short Circuit)

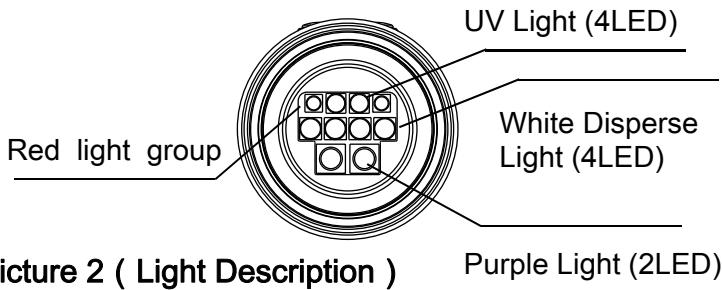
Contents

1. Product Specification
2. Operating Instructions
3. Product Warranty

1.1 Product Construction



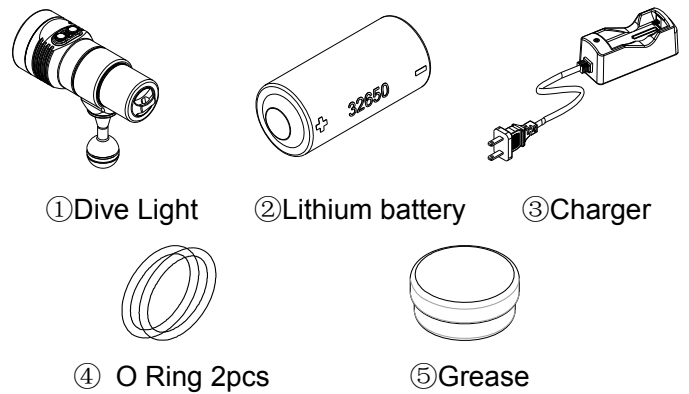
Picture 1: Production Construction



1.2 Function Specification

Luminence	White dispersed Light 2400Lumen, UV 10W, Red Light 200Lumen
Beam Angle	White Dispersed Light 120 degrees, Red Light 120 degrees
Battery Type	Lithium Battery 32650
Burn Time	White Dispersed 1hrs, Spot 2.5hrs, Red 5hrs
Depth Rating	100m/330ft
LED Specification	White CREE XM-L U2x4pcs Colour Temp 5700~7000K
	Red CREE XP-E N3x2pcs wavelengths 620nm
	Purple 6565 2pcs 410nm
	UV 2 pcs 365nm
LED Life Span	50000 hours
Product Material	Aero Grade Aluminum
Coating	Hard anodized

1.3 Package Includes:



Picture 3: Packaging Contents

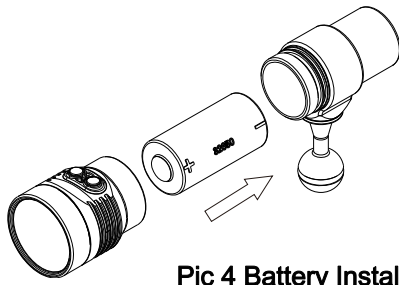
2. Operating Instructions

2.1 Battery Installation

- 2.1.1 Open the light via the rear cap.
- 2.1.2 Put the 32650 lithium battery into the rear cap, note the battery direction, follow the direction and insert into the cap (Pic 4).

2.1.3 Once battery inserted, close the rear cap towards the main body.

★**Note:** Flooding may occur if the rear cap is not secured properly to the main body. 4



Pic 4 Battery Installation

2.2 Switching ON/OFF

2.2.1 ON: Insert battery, close the rear cap towards the main body, press the Button ①, Light will be ON. (Default White Light 100%) .

2.2.2 OFF: At any mode, press the Button ① for about 2-4secs and the light will be OFF.

2.3 Changing the Mode

2.3.1 Default Mode: From the default white light 100%, press and release button ① each time to change mode: white → UV → red → white dispersed + red → white dispersed.

2.3.2 Light Intensity: From any mode, Press Button ② light intensity changes from 100% → 50% → 25% & back to 100%.

2.3.3 SOS Mode: From any mode, press button ① & ② for about 2 seconds to enter SOS mode.

2.3.4 SOS OFF: In SOS Mode, Press button ① or ② to exit SOS Mode and return to White Dispersed Mode.

5

period.

3. Product Warranty

3.1 Warranty

This product covers warranty for a 1 to 1 exchange within 15 days of purchase. If damage is found, please bring it to your local retailer for checks. The warranty is extended to 1 year and free servicing is offered if problems occur along the way. Charges will apply after 1 year.

7

2.4 High Temperature Protection

The LED light will automatically adjust the light output to a lower acceptable level if high temperature is detected. This is to protect the light from being burnt and damaged.

2.5 Battery Indication

4 Indications: Green=Full, Yellow=Half, Red=Low, Flashing Red=Critically Low. Light turns off automatically after 10 minutes

2.6 Low Battery Protection

The light will automatically be at the low light output when the RED indicator lights up. Light turns off automatically after 10 minutes.

6

2.7.2 Once battery inserted correctly, insert the charger plug into power source to start charging, the indication light will lit RED

2.7.3 Charging indicator light will lit Green to indicate charging completed.

2.8 Usage of grease

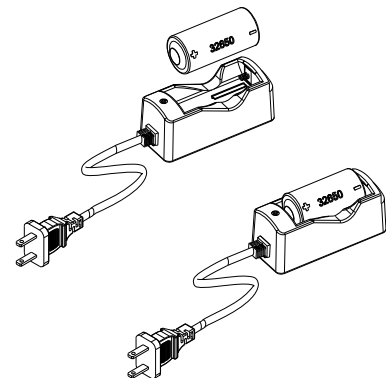
Use the grease provided to grease the o ring to ensure smooth operation and protection of the o ring. Remove any dirt or hair if any.

2.9 Changing of O Ring

Any deformation, damage or expansion is found, replace the 2 O rings provided. Remove the damaged o rings carefully and do not use sharp objects as tools. Clean the o ring grooves and replace the new o rings with light grease.

2.10 Points to take note before operating

- ★ Do not use high power battery higher than specified
- ★ Do not open the rear when underwater.
- ★ The warranty will be void if the operating methods differs from this manual
- ★ Remove battery when not in use for prolonged



Pic 5 Charging battery method

2.7 Using the charger

2.7.1. Ensure the correct method of inserting the battery into charger and commence charging (Pic 5)

This Product does not cover warranty for the following circumstances and charges will apply:

1. Light being modified, damaged or dismantled
2. Wrong operation (ie: using wrong type of battery)
3. Short Circuit of battery or light due to flooding
4. Natural occurrences and incidents beyond human control like (fire, war, robbery, lost etc)。

3.2 Troubleshooting

Please refer to the table below to do a check and confirm it is a defect before returning to the supplier.

Defect	Solution
LED does not light up	Check battery direction
	Check if battery has power
	Check if cap is fully closed
Green LED lights up the moment charging commences	Check if battery is installed properly
	Check if the battery is placed on the wrong side
	Check that there is contact between the charger & battery
Water inside the LED light	Check if the O Ring is installed properly or if there is dirt