

















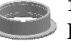
















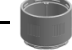





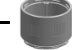

















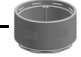


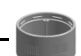






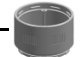

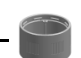
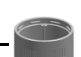







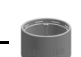































N120 Port System for C200&EVA1&Red™ System (Canon mount)








































	LENS	ZOOM GEAR	FOCUS GEAR	EXTENSIONS	LENS PORT	OPTIONAL ACCESSORIES
MACRO	Canon EF-S 60mm f2.8 Macro USM		 19521 C60-F		 18704 Macro port 41	 25101 M67 Flip diopter holder for M67 macro ports
	Canon EF 100mm f/2.8L Macro IS USM		 19523 C100IS-F		 18703 Macro port 94	
	Laowa 24mm f/14 2X Macro Probe	 16335* Cine gear set	 16335* Cine gear set	 21170 Extension ring 70 with lock <i>*Compatible from SN:A201966 onwards</i>	 16336 N120 Port Adaptor for Laowa 24mm f/14 2x Macro Probe	<i>* Iris gear and focus gear are included. * Support both standard and Cine version lenses</i>
STANDARD/ZOOM	Canon EF 24-70mm f/2.8L II USM	 16313 RC2470II-Z	 16314 RC2470II-F	 21170 Extension ring 70 with lock	 18802 8.5" acrylic dome port	 18812 (*1) 230mm optical glass fisheye port II
	Sigma 17-70mm F2.8-4 DC Macro OS HSM C	 16331 RSC1770OSC-Z	 16331 RSC1770OSC-F	 21140 Extension ring 40 with lock	 18802 8.5" acrylic dome port	
	Sigma 18-35mm F1.8 DC HSM A	 16326 RSC1835f.18-Z	 16326 RSC1835f.18-F	 21180 Extension ring 80 with lock	 18802 8.5" acrylic dome port	
WIDE/ZOOM	Canon EF-S 10-22mm f/3.5-4.5 USM	 16303 RC1022-Z	 16304 RC1022-F	 21160 Extension ring 60 with lock	 18802 8.5" acrylic dome port	 23211 8.5" white balance acrylic dome port
			 21120 Extension ring 20 with lock	 18815 250mm optical glass wide angle port II		
			 21160 Extension ring 60 with lock	 18812 (*1) 230mm optical glass fisheye port II		
	Canon EF 11-24mm f/4L USM	 16315 RC1124-Z	 16316 RC1124-F	 21160 Extension ring 60 with lock	 18809 (*1) 180mm optical glass wide angle port	
			 21180 Extension ring 80 with lock	 18802 8.5" acrylic dome port		
			 21150+21150 Extension ring 100 with lock	 18815 250mm optical glass wide angle port II		
			 21180 Extension ring 80 with lock	 18812 230mm optical glass fisheye port II		
			 21180 Extension ring 80 with lock	 18809 (*1) 180mm optical glass wide angle port		
			 21160 Extension ring 60 with lock	 18802 8.5" acrylic dome port		
			 21120 Extension ring 20 with lock	 23211 8.5" white balance acrylic dome port		
			 21160 Extension ring 60 with lock	 18815 250mm optical glass wide angle port II		
			 21160 Extension ring 60 with lock	 18812 (*1) 230mm optical glass fisheye port II		
			 21150 Extension ring 50 with lock <i>*Compatible from SN:A213191 onwards</i>	 18815 (*1) 250mm optical glass wide angle port II		
			 21170 Extension ring 70 with lock <i>*Compatible from SN:A201966 onwards</i>	 18812 230mm optical glass fisheye port II		
			 21271 Extension ring 70 with focus knob for Canon EF 11-24mm f4L USM	 18812 230mm optical glass fisheye port		

N120 Port System for C200&EVA1&Red™ System (Canon mount)

WIDE/ZOOM












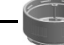









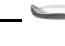













LENS	ZOOM GEAR	FOCUS GEAR	EXTENSIONS	LENS PORT	OPTIONAL ACCESSORIES
Canon EF 16-35mm f/2.8L II USM	 16311 RC1635II-Z	 16312 RC1635II-F	 21170 Extension ring 70 with lock  21180 Extension ring 80 with lock  21180 Extension ring 80 with lock  21170 Extension ring 70 with lock	 18802 8.5" acrylic dome port  18815 250mm optical glass wide angle port II  18812 (*1) 230mm optical glass fisheye port II  18809 180mm optical glass wide angle port	
Canon EF 16-35mm F4L IS USM	 16317 RC1635f4-Z	 16318 RC1635f4-F	 21170 Extension ring 70 with lock  21180 Extension ring 80 with lock  21180 Extension ring 80 with lock  21170 Extension ring 70 with lock	 18802 8.5" acrylic dome port  18815 250mm optical glass wide angle port II  18812 (*1) 230mm optical glass fisheye port II  18809 180mm optical glass wide angle port	
Canon EF 16-35mm f/2.8L III USM	 16325 RC1635III-Z	 16325 RC1635III-F	 21190 Extension ring 90 with lock  21190 Extension ring 90 with lock  21190 Extension ring 90 with lock  21180 Extension ring 80 with lock	 18802 8.5" acrylic dome port  18815 250mm optical glass wide angle port II  18812 (*1) 230mm optical glass fisheye port II  18809 180mm optical glass wide angle port	
Zeiss Distagon T* 2,8/15 ZE		 16319 ZC15-F	 21155* Extension ring 55 with lock <i>*Compatible from SN:A055053 onwards</i>	 18812 230mm optical glass fisheye port II	
Zeiss Milvus 2.8/18 ZE		 16329 ZMC-F	 21150 Extension ring 50 with lock  21150 Extension ring 50 with lock	 18812 230mm optical glass fisheye port II  18809 180mm optical glass wide angle port	
Zeiss Milvus 2.8/21 ZE		 16329 ZMC-F	 21150 Extension ring 50 with lock  21150 Extension ring 50 with lock	 18812 230mm optical glass fisheye port II  18809 180mm optical glass wide angle port	
Sigma 8-16mm F4.5-5.6 DC HSM	 16305 RSC816-Z	 16306 RSC816-F	 21150 Extension ring 50 with lock  21150 Extension ring 50 with lock  21150 Extension ring 50 with lock  21140 Extension ring 40 with lock	 18802 8.5" acrylic dome port  18815 250mm optical glass wide angle port II  18812 (*1) 230mm optical glass fisheye port II  18809 180mm optical glass wide angle port	

N120 Port System for C200&EVA1&Red™ System (Canon mount)

LENS	ZOOM GEAR	FOCUS GEAR	EXTENSIONS	LENS PORT	OPTIONAL ACCESSORIES
Sigma 12-24mm F4 DG HSM Art	 16327 RSC1224A-Z	 16327 RSC1224A-F	 21160 Extension ring 60 with lock <i>*Compatible from SN:A143566 onwards</i>	 18812 (*1) 230mm optical glass fisheye port II	
			 21150 Extension ring 50 with lock <i>*Compatible from SN:A213191 onwards</i>	 18815 250mm optical glass wide angle port II	
			 21160 Extension ring 60 with lock	 18802 8.5" acrylic dome port	
			 21160 Extension ring 60 with lock	 18815 250mm optical glass wide angle port II	
Tokina AT-X 116 PRO DX AF 11-16mm f/2.8	 16309 RTC1116-Z	 16310 RTC1116-F	 21160 Extension ring 60 with lock	 18815 250mm optical glass wide angle port II	
			 21160 Extension ring 60 with lock	 18812 (*1) 230mm optical glass fisheye port II	
			 21160 Extension ring 60 with lock	 18809 180mm optical glass wide angle port	
			 21160 Extension ring 60 with lock		
Tokina AT-X 11-20 F2.8 PRO DX AF 11-20mm F2.8	 16328 RTC1120-Z	 16328 RTC1120-F	 21160 Extension ring 60 with lock	 18802 8.5" acrylic dome port	
			 21160 Extension ring 60 with lock	 18815 250mm optical glass wide angle port II	
			 21160 Extension ring 60 with lock	 18812 (*1) 230mm optical glass fisheye port II	
			 21160 Extension ring 60 with lock	 18809 180mm optical glass wide angle port	
Sigma 14-24mm F2.8 DG HSM Art	 16333 RSC1424A-Z	 16333 RSC1424A-F	 21170 Extension ring 70 with lock <i>*Compatible from SN:A201966 onwards</i>	 18802 8.5" acrylic dome port	
			 21170 Extension ring 70 with lock <i>*Compatible from SN:A201966 onwards</i>	 18815 250mm optical glass wide angle port II	
			 21160 Extension ring 60 with lock <i>*Compatible from SN:A143566 onwards</i>	 18812 (*1) 230mm optical glass fisheye port II	
			 21160 Extension ring 60 with lock <i>*Compatible from SN:A143566 onwards</i>	 18809 180mm optical glass wide angle port	

WIDE/ZOOM

N120 Port System for C200&EVA1&Red™ System (Canon mount)

	LENS	ZOOM GEAR	FOCUS GEAR	EXTENSIONS	LENS PORT	OPTIONAL ACCESSORIES
FISHEYE/ZOOM	Canon EF 8-15mm f/4L Fisheye USM	 16301 RC815-Z	 16302 RC815-F	 21130 Extension ring 30 with lock  21130 Extension ring 30 with lock  21130 Extension ring 30 with lock	 18802 8.5" acrylic dome port  18812 230mm optical glass fisheye port II  18810 (*1) N120 140mm optical glass fisheye port	
	Canon EF 8-15mm f/4L Fisheye USM with Kenko 1.4x Teleplus Pro 300 DGX	 16322 RC815-Z+1.4	 16323 RC815-F+1.4	 21150 Extension ring 50 with lock  21150 Extension ring 50 with lock  21150 Extension ring 50 with lock	 18802 8.5" acrylic dome port  18812 230mm optical glass fisheye port II  18810 (*1) N120 140mm optical glass fisheye port	
	Tokina AT-X 107 AF DX Fisheye AF 10-17mm f/3.5-4.5	 16307 RTC1017-Z	 16308 RTC1017-F	 21120 Extension ring 20 with lock  21120 Extension ring 20 with lock  21110 Extension ring 10 with screws	 18804 4.33" acrylic dome port For Tokina 10-17 Lens  18802 8.5" acrylic dome port  18812 230mm optical glass fisheye port II  18810 (*1) N120 140mm optical glass fisheye port	
	Tokina AT-X 107 AF DX Fisheye with Kenko 1.4x Teleplus Pro 300 DGX	 16320 RTC1017-Z+1.4	 16321 RTC1017-F+1.4	 21120 Extension ring 20 with lock  21140 Extension ring 40 with lock  21140 Extension ring 40 with lock  21130 Extension ring 30 with lock	 18804 4.33" acrylic dome port For Tokina 10-17 Lens  18802 8.5" acrylic dome port  18812 230mm optical glass fisheye port II  18810 (*1) N120 140mm optical glass fisheye port	