

Instruction Manual for Nauticam Enhanced Viewfinders

PN# 32201, 32203, 32204, 32205

FOREWORD

Thank you for your purchase of a NAUTICAM product.

At NAUTICAM, we pride ourselves in the ability to recognise the requirements of professional as well as amateur underwater photographers and fulfill them through the innovative designs of our products. We strive to achieve a high level of user-friendliness by allowing stress-free installation and easy operation of all important functions of the camera.

Each product is individually inspected and water pressure tested to ensure optimum quality.

Please read this manual carefully before using the product, this will maximise its performance as well as its lifetime.

WARRANTY

All NAUTICAM Products are warranted against any material and manufacturing defects for two years from the date of purchase for consumer use. This warranty only applies to products purchased from authorised NAUTICAM dealers and does not extend beyond the original retail purchaser.

To return your product for service, please contact your regional authorized service centre(s). Please note that this warranty only applies when the product is purchased in the territory where the service centre is located.

NAUTICAM does not hold responsibility for damage, of any nature, to any equipment used with and/or placed within our products.

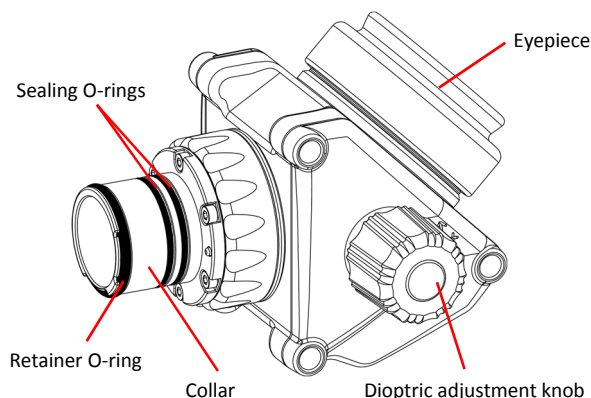
NAUTICAM accepts no liability for any loss of captured images or the inability to capture images even if it is due to the malfunctioning of our products.

Unauthorised modifications and/or repairs of our products will automatically invalidate the warranty.

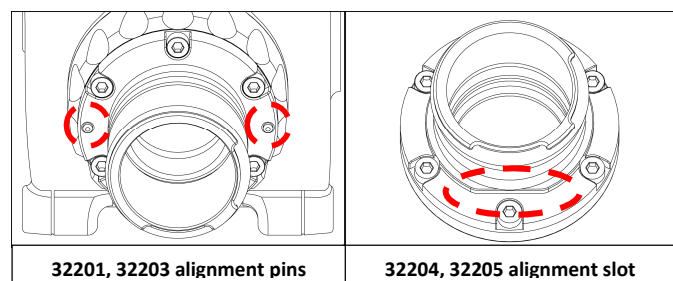
PACKAGE CONTENTS

- Nauticam Viewfinder
- Front and rear covers
- Neoprene bag
- Spare O-rings
- Instruction Manual

IDENTIFICATION OF PARTS

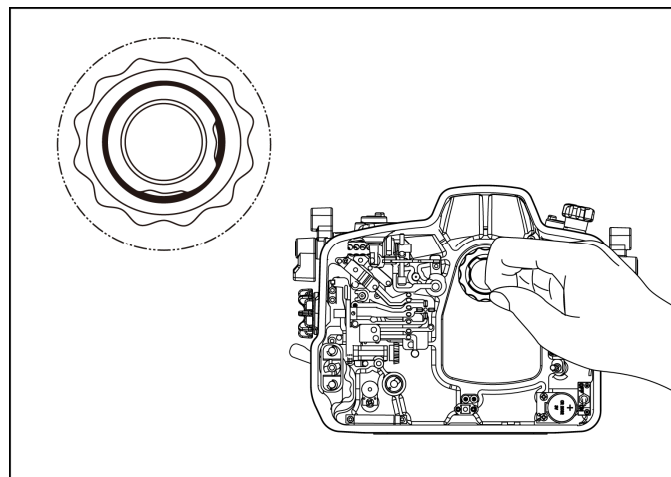


#32203 Nauticam 45° viewfinder is used as an example in this instruction manual, other viewfinders will be slightly different in term of appearance.

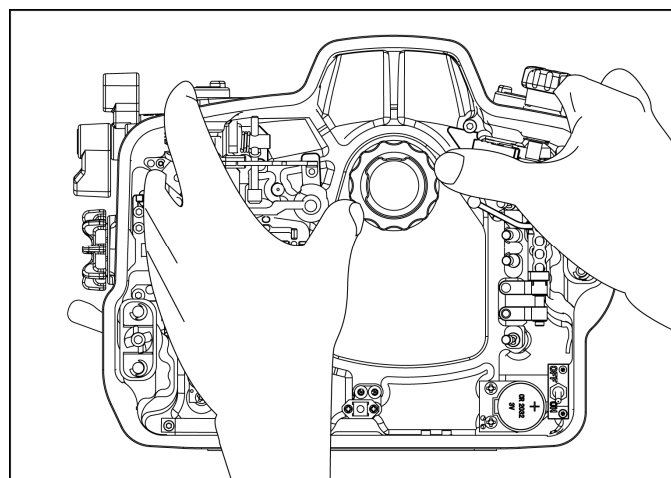


CHANGING THE VIEWFINDER

To remove the stock 0.66x viewfinder:



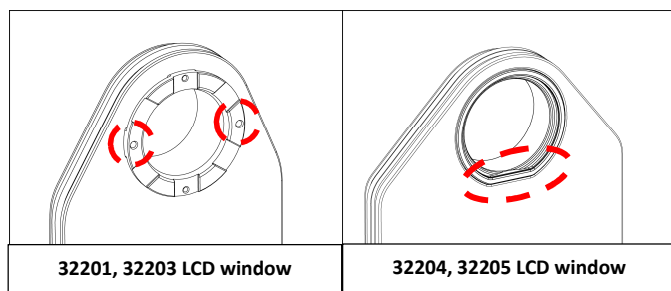
Remove the retainer O-ring of the viewfinder inside the rear half of the housing by making use of the recess on the viewfinder.



Gently push the viewfinder from the inside of the housing.

To mount the enhanced viewfinders:

Lightly coat the O-rings on the outer periphery of the viewfinder body with lubricant.



Align the viewfinder's alignment pins/ slot with the holes/ slot of the sleeve in the LCD display window.

Push the viewfinder from the outside of the housing until it cannot go in any further.

Place the retainer O-ring of the viewfinder back from inside of the housing.

ABOUT THE 45° VIEWFINDER

The 45° viewfinders (#32203, #32205) rotate 360 degrees in increments of 90 to provide ideal camera position either landscape or portrait.

SPECIFICATIONS

Depth Rating:	150m
Viewfinder Angle:	32201, 32204: 180° 32203, 32205: 45°
Compatible Housings:	32201, 32203: All DSLR housings + Sony A7 series housings 32204, 32205: All MIL housings with metal sleeve on LCD window