

Instruction Manual for Flash Triggers

PN# 26301, 26303, 26304

FOREWORD

Thank you for your purchase of a NAUTICAM product.

At NAUTICAM, we pride ourselves in the ability to recognize the requirements of professional as well as amateur underwater photographers and fulfill them through the innovative designs of our products. We strive to achieve a high level of user-friendliness by allowing stress-free installation and easy operation of all important functions of the camera.

Please read this manual carefully before using the product, this will maximize its performance as well as its lifetime.

WARRANTY

All NAUTICAM Products are warranted against any material and manufacturing defects for two years from the date of purchase for consumer use. This warranty only applies to products purchased from authorized NAUTICAM dealers and does not extend beyond the original retail purchaser.

To return your product for service, please contact your regional authorized service center(s). Please note that this warranty only applies when the product is purchased in the territory where the service center is located.

NAUTICAM does not hold responsibility for damage, of any nature, to any equipment used with and/or placed within our products.

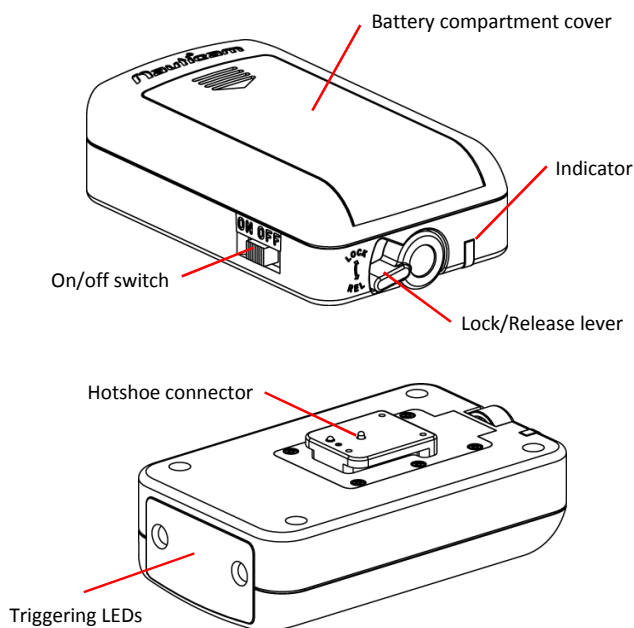
NAUTICAM accepts no liability for any loss of captured images or the inability to capture images even if it is due to the malfunctioning of our products.

Unauthorized modifications and/or repairs of our products will automatically invalidate the warranty.

PRECAUTIONS

- Use only batteries approved for use in this product, do not mix old and new batteries.
- Check the battery terminals before installing into the product.
- Remove batteries for storage, do not store the product in an environment of high humidity.
- Do not leave the product in direct sunlight for prolonged periods.
- Keep out of reach of children, failure to do so could result in injury.
- Defective products should be shipped to our distributors for service, unauthorized disassembling and/or modifications could result in malfunction.

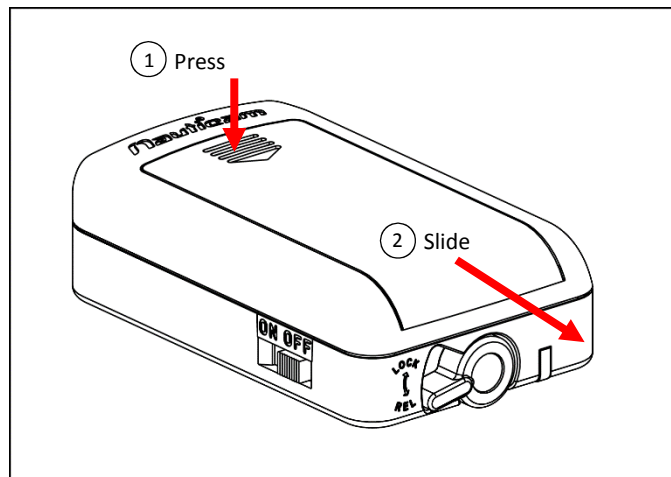
IDENTIFICATION OF PARTS



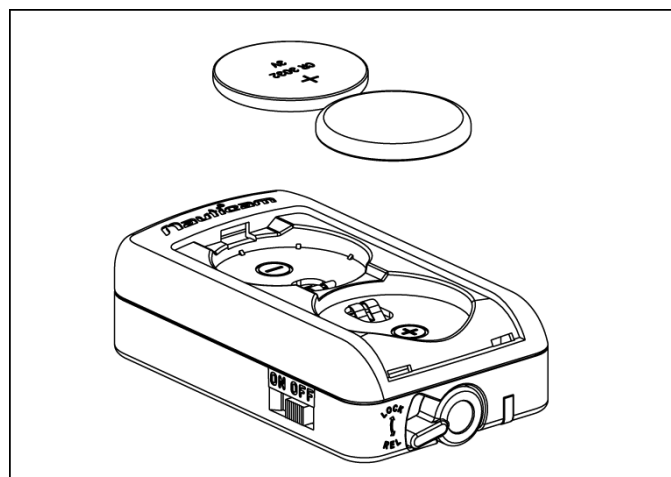
#26301 Flash trigger for Canon is used as an example in this instruction manual, #26303, #26304 will be slightly different in term of appearance.

BATTERIES INSTALLATION

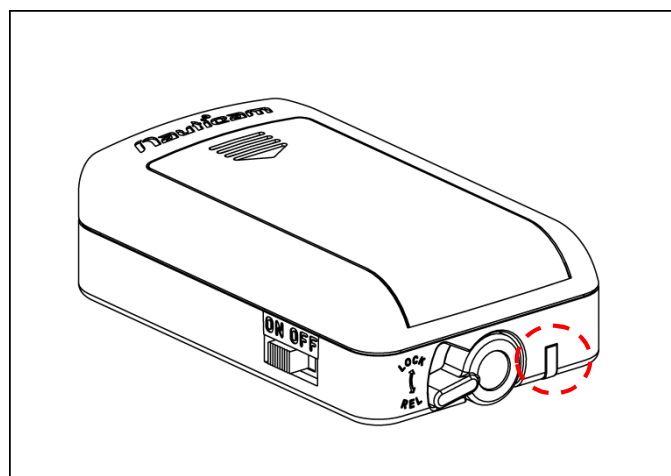
This product can only use with CR 3032 batteries. Never use other kinds of batteries.



Make sure the On/Off switch is in the OFF position. Remove the batteries compartment cover by sliding it outwards.



Install the batteries as shown. Please note that the "+" and "-" sign on the battery holders denotes the sides of the batteries facing down.



Close the battery cover and then switch the trigger unit on. The indicator will turn green.

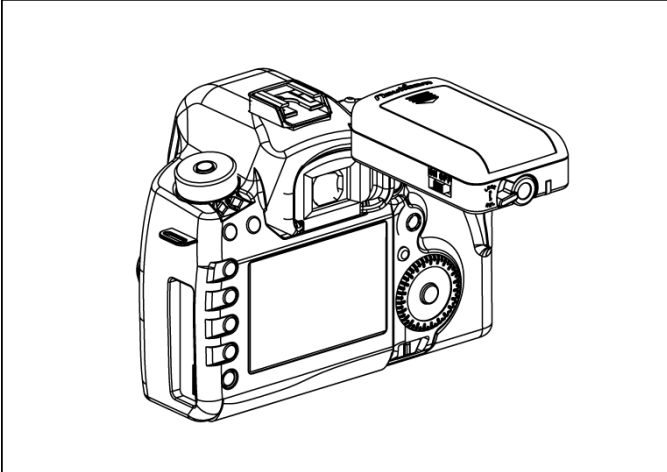
Indicator Status Identification:

Indicator	Status of flash trigger
Green light	Start up.
Flashing Green light (1 flash/sec)	Ready to use, normal operation.
Flashing Red light (1 flash/sec)	Low battery warning, replace batteries.

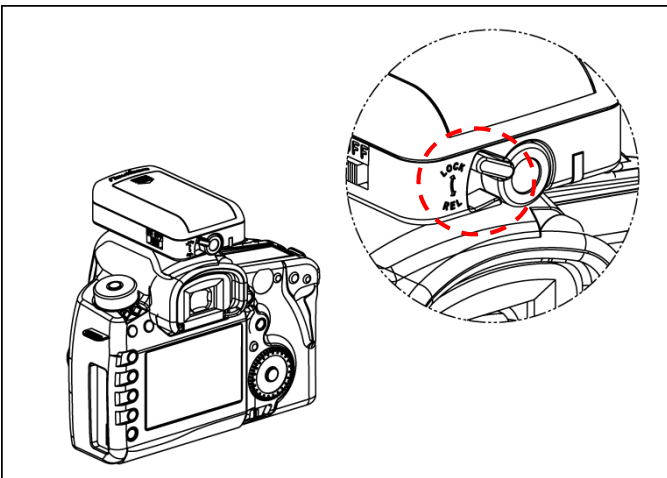
--- continue on next page ---

--- continued from front page ---

CONNECT TO THE CAMERA



Make sure the locking lever is in "REL" position. Slide the flash trigger hotshoe connector into camera hotshoe until it cannot go in any further.



Flip the locking lever to the "LOCK" position to secure the trigger.

Test the flash trigger by pressing the shutter release button of the camera, the LEDs in the front should turn on instantaneously.

To detach, reverse the above steps.

SPECIFICATIONS

Construction:	Body: PC+ABS
Dimensions:	Approx. 80 x 50 x 28mm
Weight:	Approx. 70g (w/ batteries installed)
Battery:	CR 3032 x2pcs
Operation:	Manual
Flash Capacity:	Approx. 5000times
Compatible Strobes:	INON: Z240 type 4, D2000 type 4, S2000 Sea&Sea: YS-D1, YS-01, YS-250
Compatible Housings:	26301: NA-1DXII, 1DX, 5DIV, 5DSR, 5DMKIII, 6D, 7DMKII 26303: NA-D4s, D4, D810, D800, D750, D600 26304: NA-D7200, D7100