

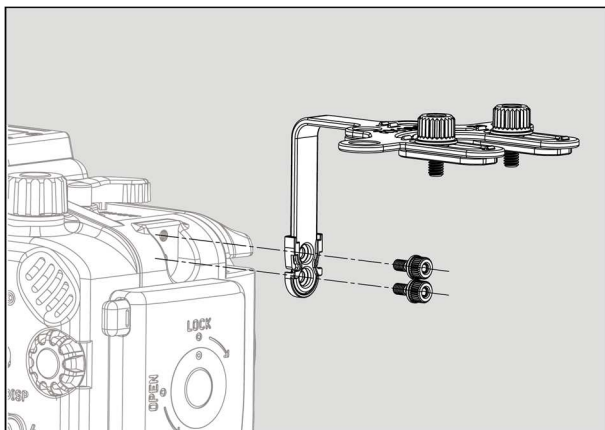
Instruction Manual for Handle Brackets and Shutter Release Extension

For MIL Housings and Compact housings

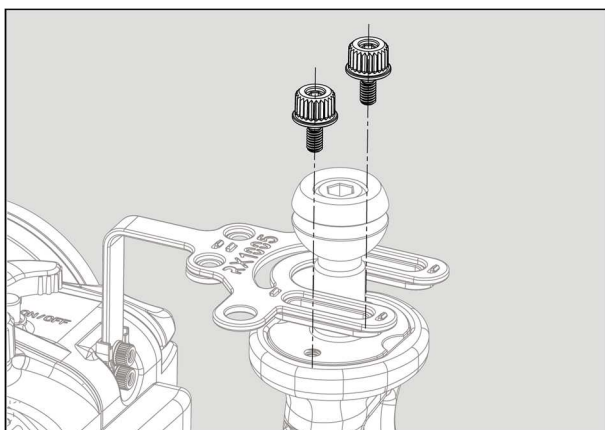
HANDLE BRACKETS

A pair of handle brackets is supplied with the housing for use with optional Easitray (#71206) or Flexitray (#71207) with right handle (#71208), providing additional stability. Strobe mounting balls (#71311) are required.

To install the handle brackets:



1. Locate the mounting holes on the side/top of the housing and install the handle bracket to the housing as shown. Remove the retaining nuts before mounting the bracket.



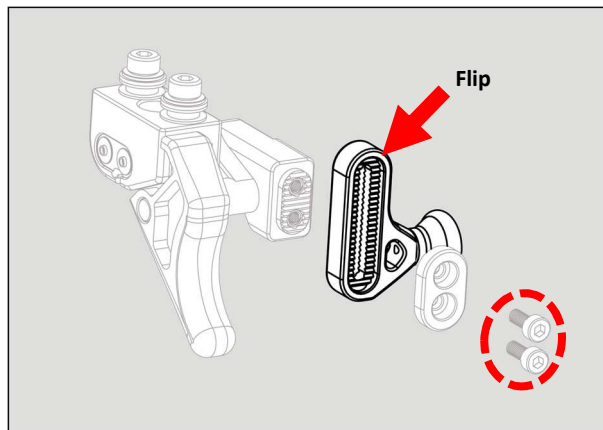
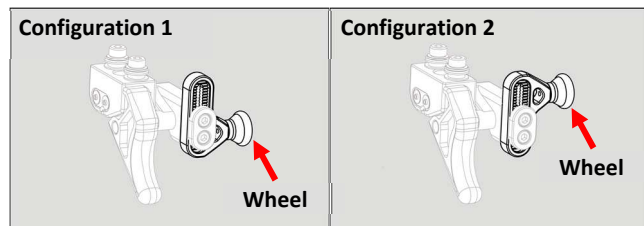
2. Attach the tray to the housing and align the bracket to the threaded holes of 71311. Adjust the position of the handle if needed.

SHUTTER RELEASE EXTENSION

The Shutter release extension provides easy shutter release access from the handle grip for users with big hand, or thick drysuit gloves who prefer shooting from a handle.

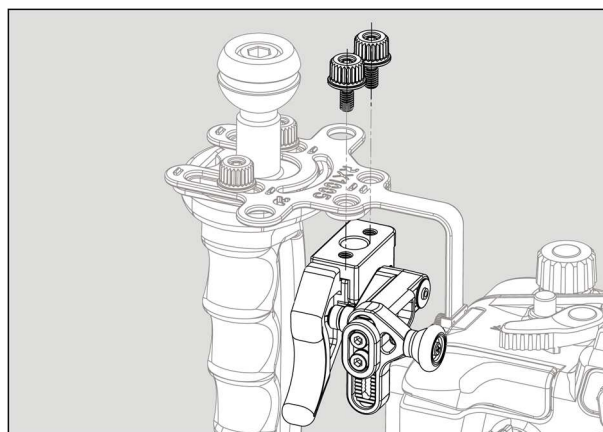
Shutter release extension configurations:

The shutter release extension can be configured into two positions to match with different housings.

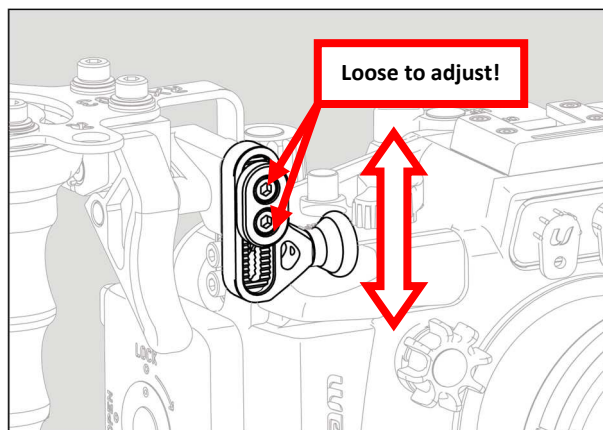


1. The position of the wheel can be switched by removing the two screws as indicated and flip the wheel assembly to the preferred position.

To install the shutter release extension:



1. Mount the shutter release extension onto the right handle bracket as shown. If the wheel of the shutter release extension is too far or too close the housing, reposition the wheel as instructed in step 1.



2. Loose the two screws as shown until the wheel assembly can freely move vertically. Then adjust the position of the wheel so that it touches on the housing shutter release lever and then tighten it.