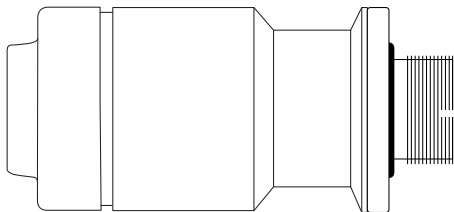




Magnified Viewfinder for DSLR and Mirrorless Housings

Product Numbers 6890



Product Registration

Please register your product at ikelite.com within 15 days of purchase. Our product registration database is the best way for us to get a hold of you in the event of a product update or recall.

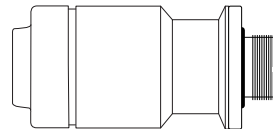
About this Product

Thank you for your purchase of Ikelite equipment. Please read this instruction manual completely before attempting to operate or dive with this product. Please visit ikelite.com to register your product to receive information on any updates, notices, or recalls pertaining to your equipment.

This Magnified Viewfinder is designed to position the viewing window farther away from the housing without changing the viewfinder image size. Enjoy a brighter, larger image with less vignetting (dark shadows in the corners of the image) as compared to our standard viewfinder.

The Magnified Viewfinder provides a totally different shooting experience. Since we are typically in a horizontal position when diving, viewing your frame at an angle reduces arm fatigue and often makes framing easier when your subject is slightly below you and/or tucked into the reef. The Magnified Viewfinder rotates to any angle, so it's simple to switch between shooting landscape, portrait, or just about anything in between!

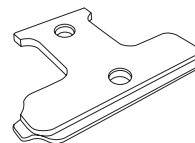
Included in the Box



Magnified Viewfinder



Protective Lens Cap



Attachment Tool



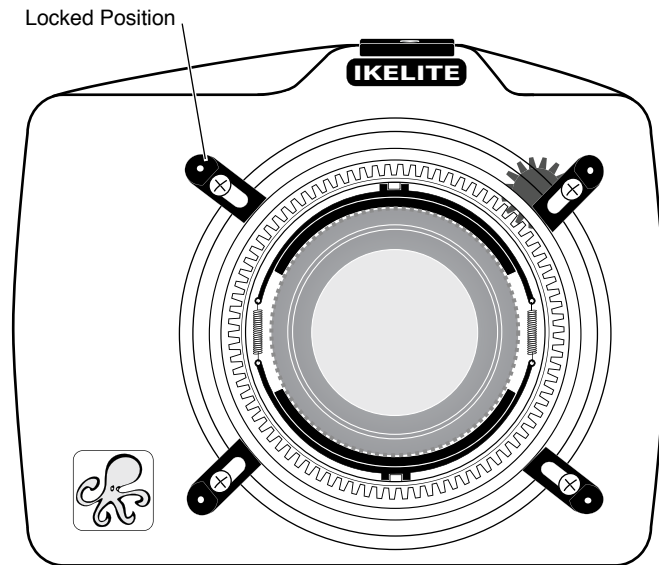
Spare O-ring

Contents

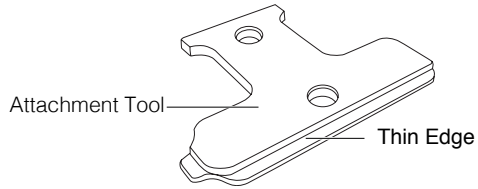
- 1 **Product Registration**
- 2 **About this Product**
- 3 **Included in the Box**
- 5 **Preparing to Remove the Standard Ikelite Viewfinder**
- 6 **Removing the Standard Ikelite Viewfinder**
- 8 **Attaching the Magnified Viewfinder**
- 11 **Securing the Magnified Viewfinder**
- 12 **Using the Magnified Viewfinder**
- 12 **Traveling with the Magnified Viewfinder**
- 13 **Maintenance**
- 14 **Service and Repairs**
- 15 **Limited Warranty**
- 16 **Contact Us**

Preparing to Remove the Standard Ikelite Viewfinder

Without the camera installed or a port system attached, lay the housing face down on a flat sturdy surface. If the housing utilizes sliding port locks make sure they are in the “locked position”.



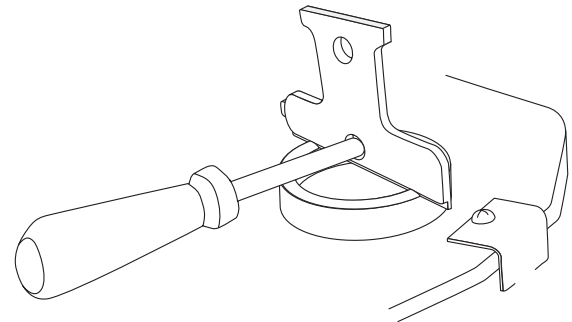
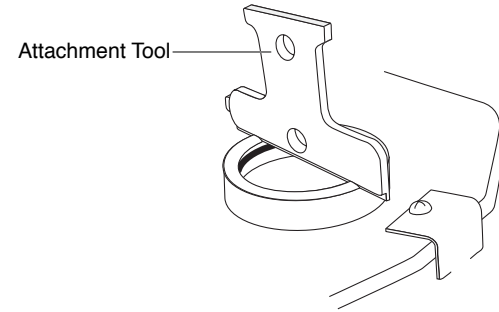
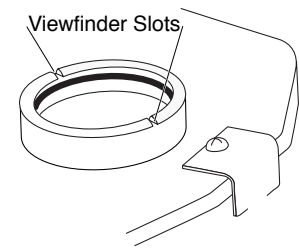
Removing the standard Ikelite viewfinder



Press the thin edge of the Attachment Tool into the two slots of the Standard Viewfinder.

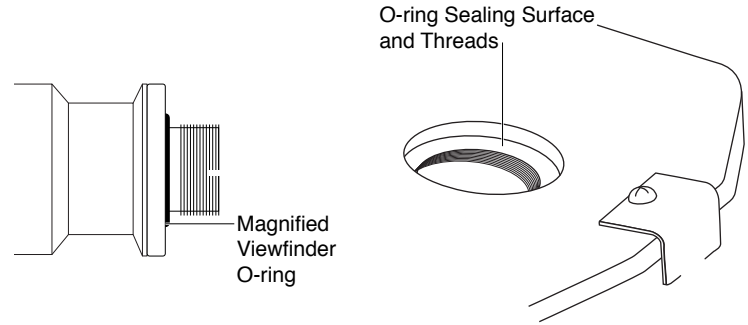
Carefully twist the Attachment Tool counter-clockwise to loosen and remove the viewfinder. If additional leverage is required, insert the end of a screwdriver into the lower center hole of the Attachment Tool. It is best to apply torque slowly, while applying downward pressure on the tool to reduce the risk of slipping and damaging the housing's back.

Once the Standard Viewfinder has been completely unscrewed and removed from the housing's back place the viewfinder in a sealable plastic bag and store in a safe location.

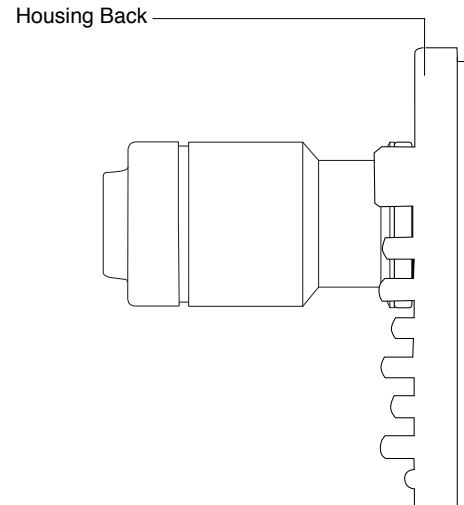


Attaching the Magnified Viewfinder

Inspect the o-ring sealing surface and threads on the back of the housing to insure they are clean and free of debris. Inspect the o-ring on the Magnified Viewfinder to insure it is clean and free of debris. This o-ring is a compression seal and does not require silicone lubricante.



Begin threading the Magnified Viewfinder clockwise into the housing's back. Stop once it is threaded in far enough to not fall out.



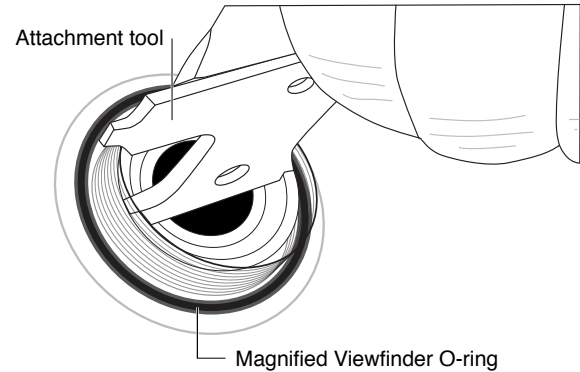
Securing the Magnified Viewfinder

Turn the back to expose the inside of the housing and insert the narrow end of the Attachment Tool through the eyepiece hole on the inside of the housing. The tips will fit into two of the four notches of the Magnified Viewfinder's threads.

Orient the Magnified Viewfinder to the landscape position to line up and match your camera's viewfinder. Ensure that the eyepiece is pointed up. Hold the Viewfinder in this position as you secure it into the housing's back.

Turn the Attachment Tool counter-clockwise to tighten, to insure waterproof integrity observe the o-ring through the housing's clear back. You will be able to see the o-ring compress (it will darken) as you securely tighten down the viewfinder with the Attachment Tool.

Now that you have attached the Magnified Viewfinder, check your work by submerging the fully assembled housing (minus the camera) in a deep sink, rinse tank, or bathtub. Dry the housing and inspect the inside for any evidence of a leak.



Using the Magnified Viewfinder

Rotate the Magnified Viewfinder to align with the view of your camera.

Rotating the Magnified Viewfinder may require more force at depth.

Traveling with the Magnified Viewfinder

Due to the protrusion of the Magnified Viewfinder beyond the housing back, care should be taken to insure the Viewfinder is adequately protected when traveling.

If the Magnified Viewfinder cannot be adequately protected it is recommended that the Viewfinder be removed and reinstalled once you reach your destination.

Maintenance

Give your Magnified Viewfinder the same care and attention you give to your other photographic equipment. Follow these simple guidelines and you will enjoy years of regular use:

- Your Viewfinder contains optical glass, treat the Viewfinder with the same care you do your camera lenses.
- Rinse your housing and attached Viewfinder in fresh water and dry after each use. Store in a cool place out of direct sunlight.
- Never submerge the Viewfinder in water when not attached to the camera housing.
- Never leave your camera system in a rinse tank or camera tank. Most accidental equipment damage occurs in the rinse tank.
- Replace protective lens cap when Viewfinder is not in use.

Service and Repairs

Ikelite is most interested in performing any service to ensure that all products perform as intended. Evidence of purchase date must be provided to obtain warranty service.

No prior authorization is required. You may return directly to us or through your dealer. Please include a brief description of the problem, any relevant email correspondence, and/or instructions on what you want us to do. Always include name, shipping address, email address, and phone number inside of the package. Send postage paid to:

Ikelite Service Dept.
50 West 33 Street
Indianapolis, IN 46208 USA

No reimbursements for postage paid will be issued. You may also want to insure the package.

For the separate international customs documentation form that you complete to accompany the shipment, please state or designate that the enclosed products were originally manufactured in the USA and are being returned to the manufacturer for repair service. Value of the equipment listed for customs purposes should be zero.

Limited Warranty

This product is warranted against manufacturing defects for a period of one year from the date of purchase. Defective products should be returned prepaid to Ikelite. Ikelite will, at its discretion, (a) repair utilizing new, re-manufactured, and/or recycled parts; (b) exchange for a new product or; (c) exchange for a refurbished product; and return to customer prepaid. All other claims, of any nature, are not covered. Except as mentioned above, no other warranty, express or implied, applies to this product.

Contact Us

Ikelite Underwater Systems
50 W 33rd St
Indianapolis, IN 46208 USA
(317) 923-4523
ikelite.com

© 2014 Ikelite Underwater Systems